

Volvo Construction Equipment
Building Tomorrow



MATERIAL HANDLERS

Volvo Excavators EW200E Material Handler, EW240E Material Handler 22.1 - 26.5 t / 48,722 - 58,422 lb 173 hp





Progress is in our DNA

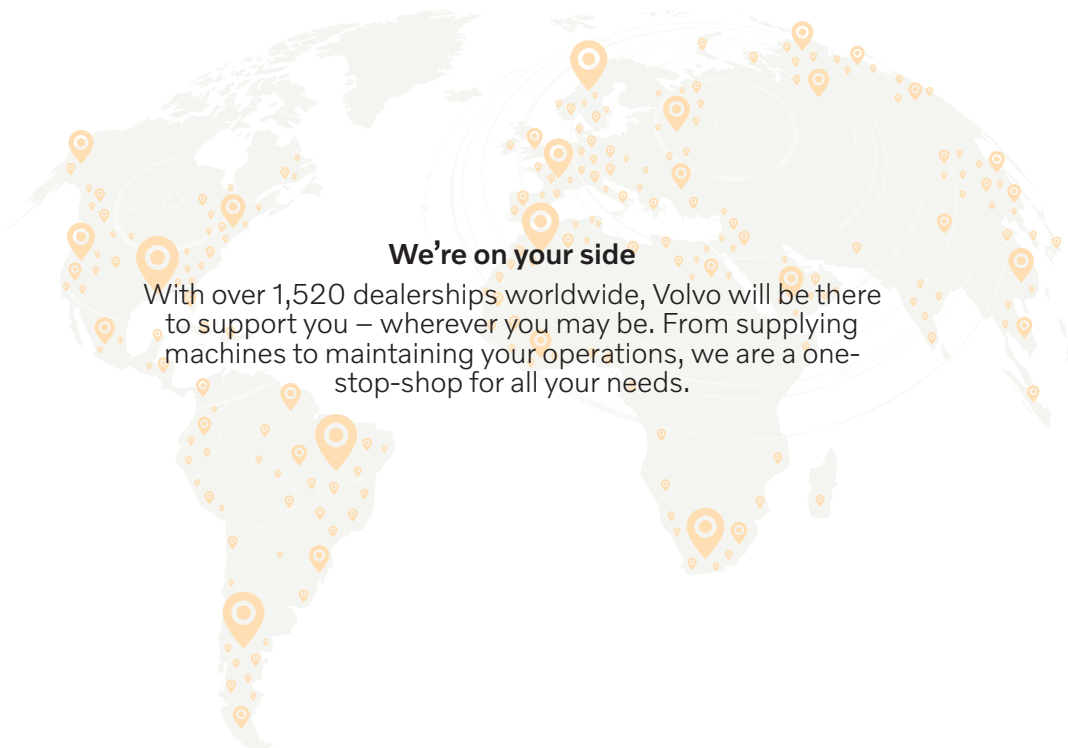
With nearly two centuries of engineering excellence, Volvo has been at the forefront of the construction equipment industry. Based on a pioneering spirit and great inventiveness, we have always been a driving force in moving technology forward since those early days.

OVER 185 YEARS OF EXPERIENCE

Purpose-built for waste and recycling

Put waste in its place with a full line of products, designed to help you stay efficient and productive. Throughout the years we have listened to your requirements, and our range of features and solutions, built specifically for waste and recycling, confirm our commitment to you.





We're on your side

With over 1,520 dealerships worldwide, Volvo will be there to support you – wherever you may be. From supplying machines to maintaining your operations, we are a one-stop-shop for all your needs.

100% Volvo

For decades, Volvo wheeled excavators have proven themselves to be multi-purpose and reliable machines. Built on the success of the EW240E Material Handler comes its smaller counterpart, the EW200E Material Handler. The material handlers are designed and manufactured in our Volvo factory in Germany and are specifically engineered to deliver outstanding results in waste and recycling applications.

Drive in comfort

Comfort Drive Control lets operators control the machine using only the joystick, up to 19km/h (11.8 mph). What's more the machine is available without the steering column, to further boost visibility.



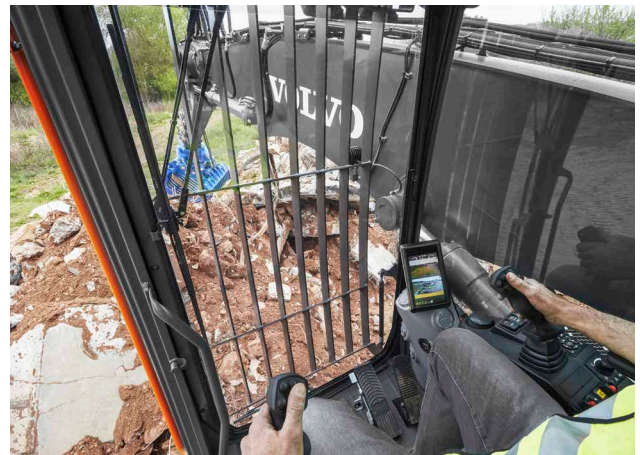
Proven Volvo quality

Lift with precision using the specially-designed boom and arm. The boom cylinder dampening minimizes shaking and holds the grapple in place, for enhanced stability. The machine is equipped with an adjustable arm-in limitation, designed to prevent collision between the cab and the grapple. The height limitation function provides further safety when working indoors.



Smooth control

Experience instant response, thanks to the optimized hydraulics system and joysticks, providing you with an array of functions at your fingertips. The grapple control and soft swing system work in harmony for improved accuracy during simultaneous operations.





THE OPERATOR'S CHOICE

Work in comfort in the spacious Volvo cab, which can be elevated to provide operators with an eye-view 5 meters (16'5") above the ground. For smooth operation when working at height, the double damped cab mounts reduce vibration and noise. Operators can raise the cab and move the outriggers directly from the joysticks.



CONFIGURED YOUR WAY

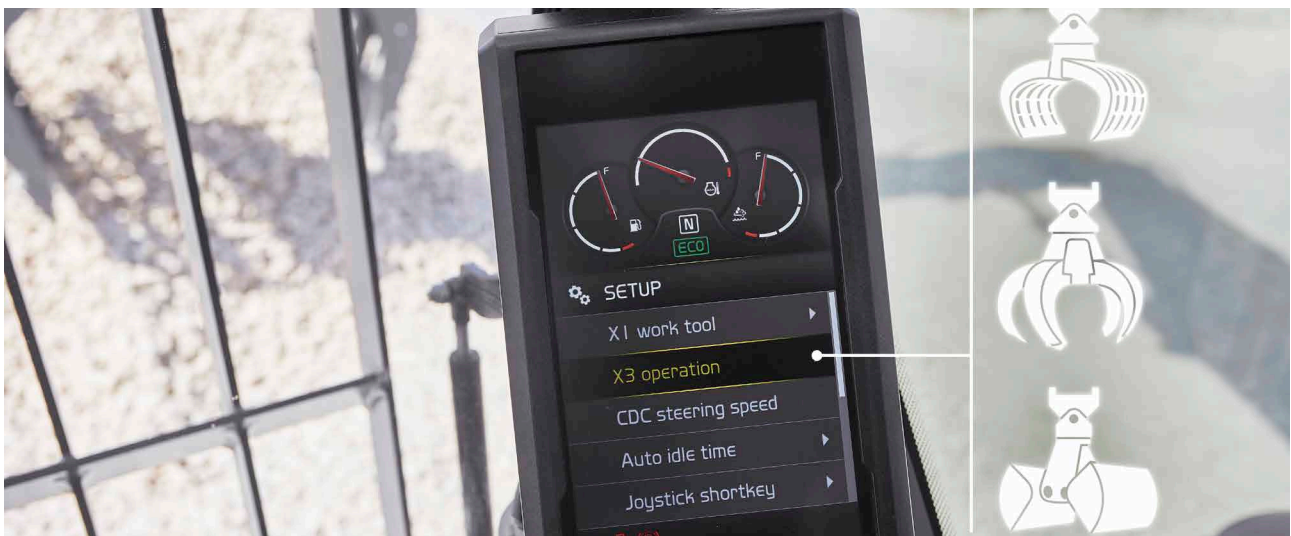
To enhance productivity, configure your machine both inside and out, and have it delivered to you straight from the factory. For increased visibility, you can fit your machine with Volvo Smart View or a one-piece polycarbonate window, with protection film. Additionally, you can select from a gooseneck arm or sorting arm, to ensure you always have the best grasp on the job.

Designed by you, built by Volvo

To make sure our machines reflect what the market wants and needs, we have involved customers at every stage of development. Volvo material handlers have been rigorously tested at customer sites, to achieve optimum real-world performance. With a range of compatible attachments and available configurations, you have the power to enhance versatility and design a machine to specifically match your application.

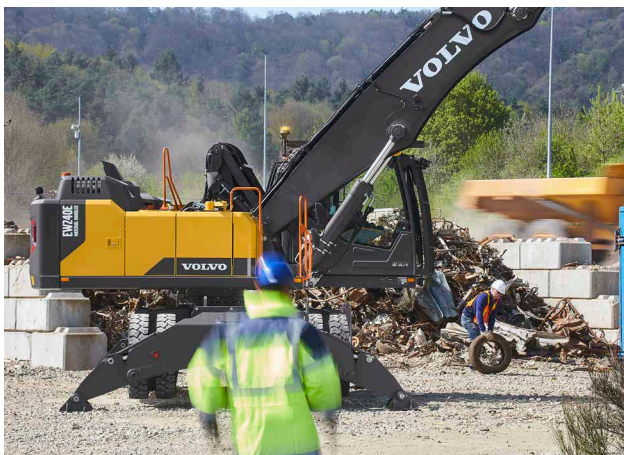
Versatility

From waste handling to scrap sorting, maximize your machine's productivity with a range of durable grapples – available to you through the Volvo factory. For enhanced ease of operation, auxiliary lines are factory-installed and the Attachment Management System can store settings for up to 32 different attachments.



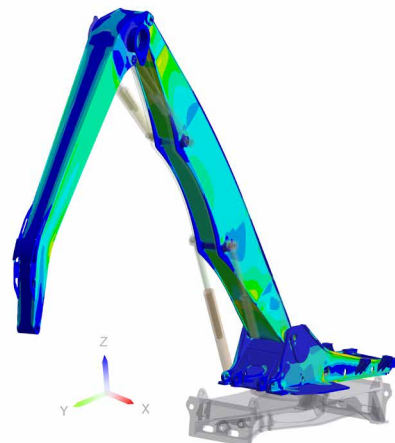
Power up, fuel down

Move more with less. The powerful Volvo engines deliver 129 kW (173 hp) and are equipped with auto idle and auto engine shutdown functions, to reduce fuel consumption. ECO mode is available to maintain productivity and increase fuel efficiency.



Enduring performance

Optimize machine uptime and the profitability of your business with Volvo material handlers, rigorously tested and proven to withstand the test of time. Built on experience, this machine will always perform dependably, keeping productivity and uptime to a maximum.



EW200E Material Handler

Reach up to 10-meters (33ft)

CONFIGURED YOUR WAY

- 4m (13'1") gooseneck arm or 3.5m (11'6") sorting arm
- Front blade/2 rear outriggers or 4 outriggers
- Machine can be ordered without steering column, for further visibility
- Volvo Smart View, One-piece single window

Versatility

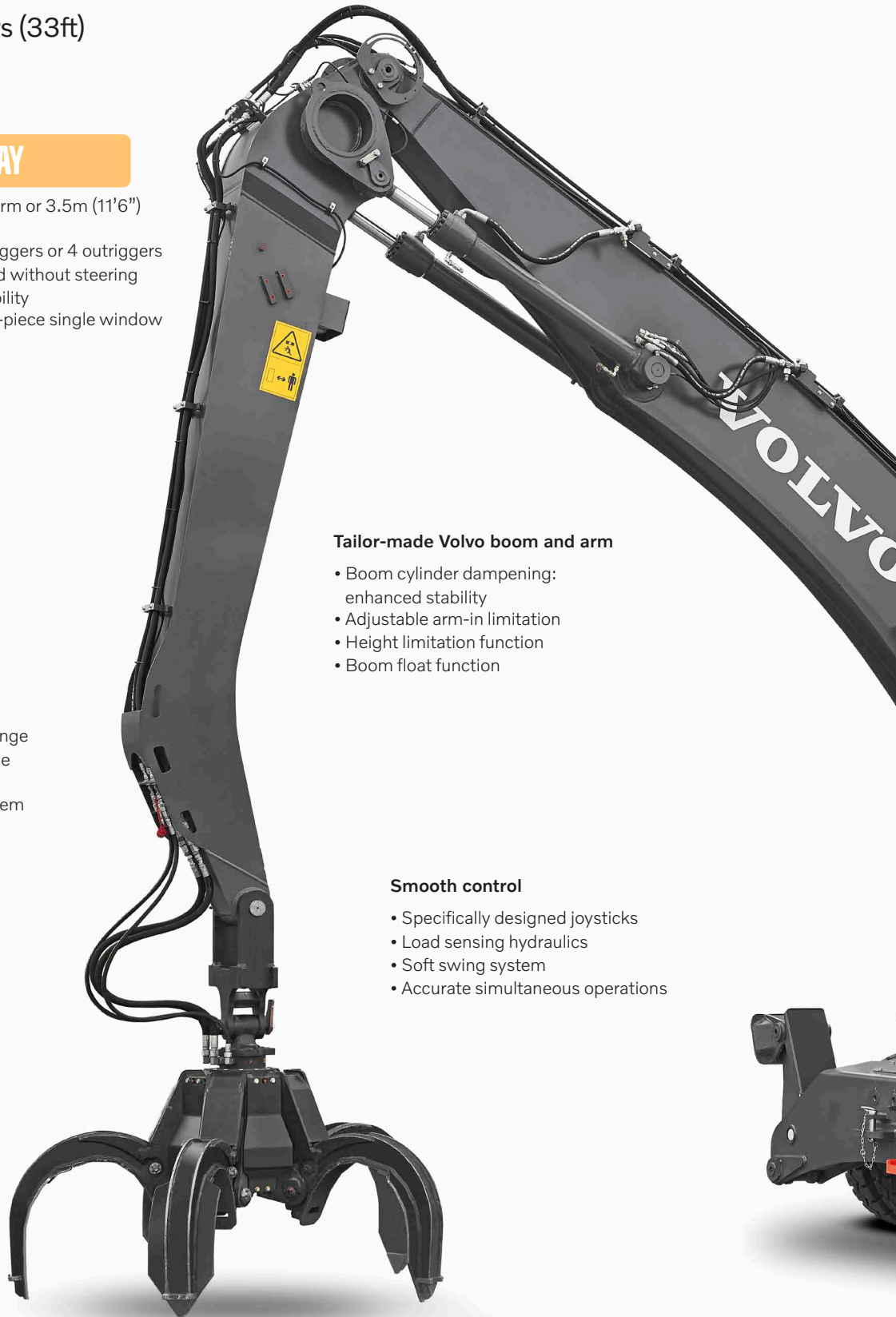
- Factory-installed auxiliary lines
- Range of sorting grabs and orange peel grapples, available from the Volvo factory
- Attachment Management System

Tailor-made Volvo boom and arm

- Boom cylinder dampening: enhanced stability
- Adjustable arm-in limitation
- Height limitation function
- Boom float function

Smooth control

- Specifically designed joysticks
- Load sensing hydraulics
- Soft swing system
- Accurate simultaneous operations



THE OPERATOR'S CHOICE

- Steps on the outriggers: easy cab access/egress
- Cab raises you up to 5 meters (16'5")
- Double damped cab mounts
- Comfort Drive Control enables joystick steering up to 19km/h (11.8 mph)
- Cab & outriggers control from the joysticks

Service made easy

- Grouped greasing points
- All filters accessible from ground level
- Genuine Volvo Parts
- CareTrack: easy machine monitoring
- ActiveCare Direct: looking out for you

Power up, fuel down

- Powerful Volvo D6 engine
- Auto engine idle, Auto engine shutdown
- ECO mode



Some features may be optional in your market.

EW240E Material Handler

Now up to 12-meters (40ft)

CONFIGURED YOUR WAY

- 5m (16'5") gooseneck arm or 4m (13'1") sorting arm
- 4 outriggers
- Machine can be ordered without steering column, for further visibility
- Volvo Smart View, One-piece single window

Versatility

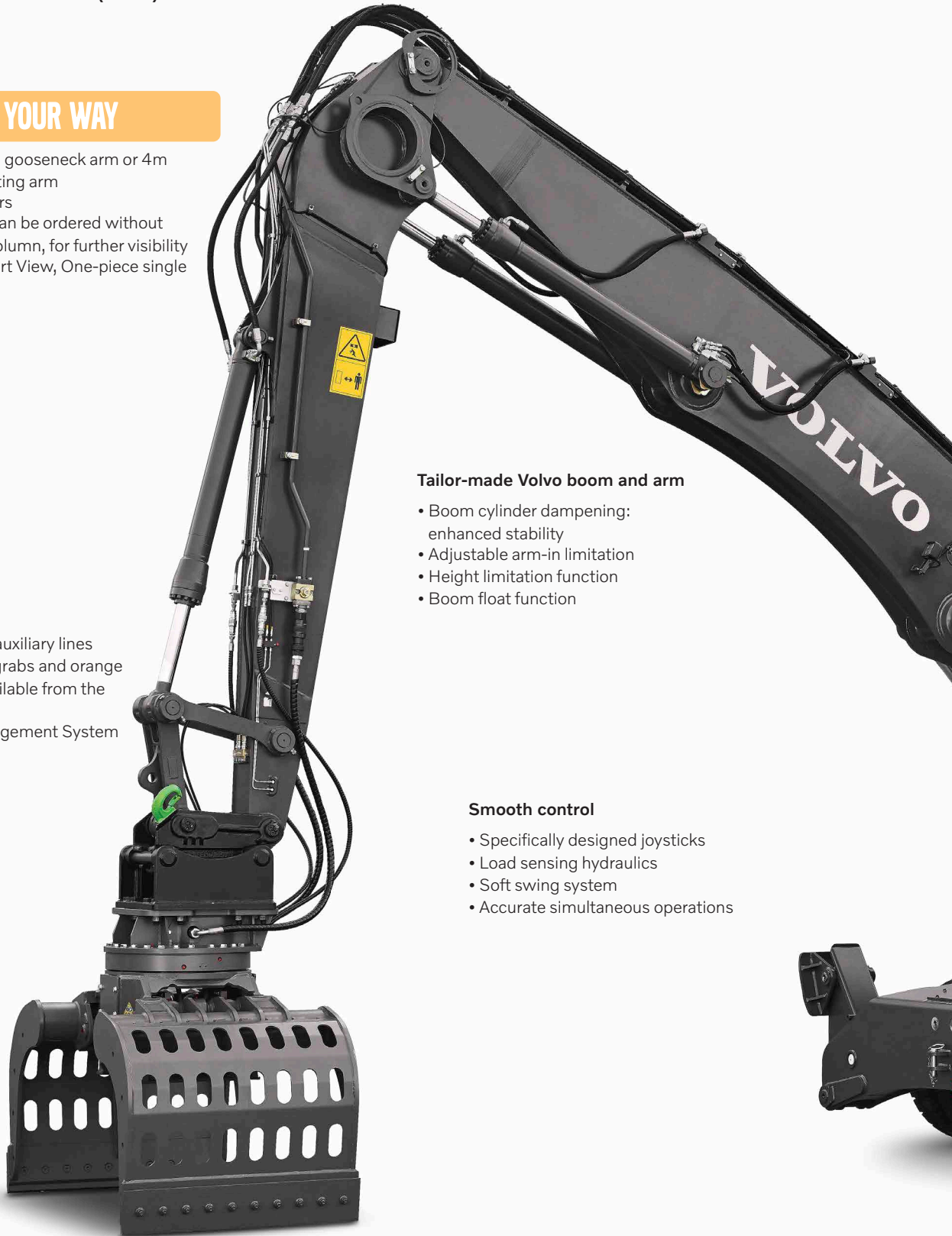
- Factory-installed auxiliary lines
- Range of sorting grabs and orange peel grapples, available from the Volvo factory
- Attachment Management System

Tailor-made Volvo boom and arm

- Boom cylinder dampening: enhanced stability
- Adjustable arm-in limitation
- Height limitation function
- Boom float function

Smooth control

- Specifically designed joysticks
- Load sensing hydraulics
- Soft swing system
- Accurate simultaneous operations



THE OPERATOR'S CHOICE

- Steps on the outriggers: easy cab access/egress
- Cab raises you up to 5 meters (16'5")
- Double damped cab mounts
- Comfort Drive Control enables joystick steering up to 19km/h (11.8 mph)
- Cab & outriggers control from the joysticks

Service made easy

- Grouped greasing points
- All filters accessible from ground level
- Genuine Volvo Parts
- CareTrack: easy machine monitoring
- ActiveCare Direct: looking out for you

Power up, fuel down

- Powerful Volvo D6 engine
- Auto engine idle, Auto engine shutdown
- ECO mode



Some features may be optional in your market.



DO MORE JOBS WITH JUST ONE MACHINE

Boost your machine's productivity with a range of compatible attachments, available straight from the Volvo factory. You also have access to a range of Volvo Services, designed to secure maximum return on investment. From Genuine Volvo Parts and Volvo service technicians, to proactive machine monitoring and operator training – everything is available from one place.



Volvo Material Handlers in detail

Engine

Volvo Construction Equipment is ready to comply with the tough new EU Stage V and US (EPA) Tier 4 Final legislation for off-road vehicles with the introduction of a cascade of innovations in its new generation engines with Volvo Advanced Combustion Technology (V-ACT). Volvo machines are equipped with in-line turbo charged diesel engine with high pressure common rail system. The engine features a externally cooled exhaust gas re-circulation (E-EGR), a Diesel Particulate Filter (DPF) and a Selective Catalytic Reduction(SCR) with AdBlue®/Diesel exhaust fluid (DEF).

		EW200E MATERIAL HANDLER	EW240E MATERIAL HANDLER
Engine	Volvo	Volvo D6J	Volvo D6J
Max. power at	r/min (r/s)	1,800 (30)	1,800 (30)
Net (ISO9249/SAEJ1349)	kW (hp)	126 (169)	126 (169)
Gross (ISO 14396/SAE J1995)	kW (hp)	129 (173)	129 (173)
Max. torque	Nm (ft lbf)	850 (627)	850 (627)
at engine speed	r/min (r/s)	1,350 (22.5)	1,350 (22.5)
No. of cylinders		6	6
Displacement	l (in ³)	5.7 (348)	5.7 (348)
Bore	mm (in)	98 (3.86)	98 (3.86)
Stroke	mm (in)	126 (4.96)	126 (4.96)

Electrical system

		EW200E MATERIAL HANDLER	EW240E MATERIAL HANDLER
Voltage	V	24	24
Batteries	V	2 x 12	2 x 12
Battery capacity	Ah	2 x 140	2 x 140
Alternator	V/Ah	28 / 120	28 / 120

Undercarriage

		EW200E MATERIAL HANDLER	EW240E MATERIAL HANDLER
Oscillation	± °	4.5	4.5
Twin wheels	type	10-20	10-20 / 11-20
Tractive force (net)	kN (lbf)	111 (24,954)	121 (27,202)
Travel speed, off road	km/h (mi/h)	19 (11.8)	19 (11.8)
Travel speed, creep	km/h (mi/h)	3.2 (2)	3.2 (2)
Min. turning radius	m (ft)	7.3 (24)	8.1 (26.6)
Travel speeds may depend on to local regulations			

Cab

Refrigerant of the type R134a is used when this machine is equipped with air conditioning. Contains fluorinated greenhouse gas R134a, Global Warming Potential 1.430 t CO₂-eq.

Sound Level

		EW200E MATERIAL HANDLER	EW240E MATERIAL HANDLER
Sound pressure level in cab according to ISO 6396			
L _{pA}	dB	65	67
External sound level according to ISO 6395 and EU Noise Directive 2000/14/EC			
L _{WA} (standard)	dB	100	101
L _{WA} (tropical)	dB	101	102

Brake system

Service brakes: servo-hydraulically manoeuvred self-adjusting wet multidiscs with two separate brake circuits.
Parking brake: negative wet disc in gear housing, spring applied and pressure released.
Digging brake: service brake with mechanical lock system.
Security system: The 2-circuit travel brakes are supplied with two accumulators in the event of failure in the service brake system.

Hydraulic system

Closed-centre load sensing hydraulic system with pressure compensated valves. Load independence of movements. Flow sharing feature, combined with a high flow pump (power regulation). The system gives superior manoeuvrability and fast movements, for optimal working result and economy

The following working modes are included in the system:

Parking mode (P): Parking position for optimal safety.

Travel mode (T): Engine speed is controlled by travel pedal stroke for low fuel consumption and noise.

Working mode (W): Full working flow with adjustable engine rpm for normal working and best speed utilisation.

Customer mode (C): Operator can set proper oil flow in accordance with job conditions.

Power Boost: All digging and lifting forces are increased.

		EW200E MATERIAL HANDLER	EW240E MATERIAL HANDLER
Main pump (type low noise axial piston pump)			
Max. flow	l/min (gal/min)	300 (79.3)	375 (99)
Brake + steering pump (type low noise gear pump)			
Max. flow	l/min (gal/min)	48 (12.7)	48 (12.7)
Servo pump (type low noise gear pump)			
Max. flow	l/min (gal/min)	15 (3.9)	15 (4)
Relief valve setting pressure			
Implement	MPa (psi)	35 (5,076)	35 (5,076)
Travel system	MPa (psi)	35 (5,076)	35 (5,076)
Slew system	MPa (psi)	23 (3,336)	23 (3,336)
Pilot system	MPa (psi)	3.5 (508)	3.5 (508)

Swing system

The superstructure is slewed by the means of a axial motor with reduction gear box.

Automatic slew holding brake and anti-rebound valve are standard.

		EW200E MATERIAL HANDLER	EW240E MATERIAL HANDLER
Max. slew speed	r/min	9	8
Max. slew torque	kNm (ft lbf)	50.4 (37,173)	54 (39,828)

Service Refill

		EW200E MATERIAL HANDLER	EW240E MATERIAL HANDLER
Fuel tank	l (gal)	250 (66)	290 (76.6)
DEF/AdBlue® tank	l (gal)	25 (6.6)	25 (6.6)
Hydraulic system, total	l (gal)	250 (66)	340 (89.8)
Hydraulic tank	l (gal)	123 (32.5)	170 (44.9)
Engine oil	l (gal)	25 (6.6)	25 (6.6)
Engine coolant	l (gal)	33 (8.7)	33 (8.7)
Transmission	l (gal)	2.5 (0.66)	2.5 (0.66)
Axle differential:			
Front axle	l (gal)	9.5 (2.5)	16 (4.23)
Rear axle	l (gal)	12.5 (3.3)	20 (5.28)

Total Machine Weights

EW200E MATERIAL HANDLER

With straight boom 5.5 m / 18.0 ft, with sorting arm 3.5 m / 11.5 ft, FOPS, Solideal twin tyres 10-20, outriggers front and rear Kinshofer S60 D20 H P 100 (450 l / 1,135 kg) / (0.59 yd³ / 2,502 lb)

With front and rear outriggers kg (lb) 22 850 (50,376)

With straight boom 5.5 m, with goose neck arm 4.0 m, FOPS, Solideal twin tyres 10-20, blade front and outriggers rear Kinshofer OP-GR P22V-450-5-W (450 l / 1 046 kg)

With dozer blade front and outriggers rear kg (lb) 22 100 (48,722)

EW240E MATERIAL HANDLER

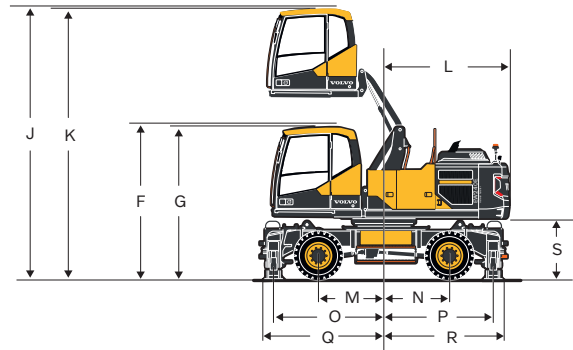
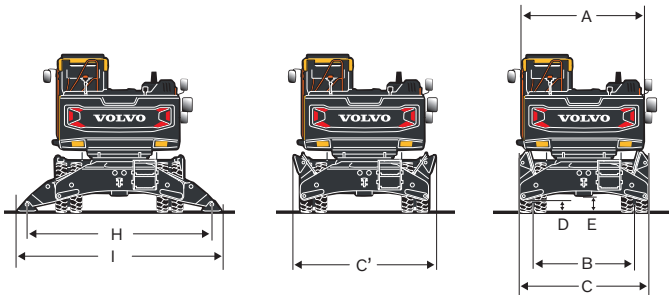
With straight boom, with gooseneck arm 5 m / 16.4 ft, with solideal twin tyres 10-20, with grapple (600 l / 1,714 kg) / (0.78 yd³ / 3,779 lb)

With front and rear outriggers kg (lb) 26 000 (57,320)

With straight boom, with sorting arm 4 m / 13.1 ft, with solideal twin tyres 10-20, with sorting grap with Quick coupler (650 l / 1,480 kg) / (0.85 yd³ / 3,263 lb)

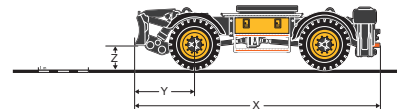
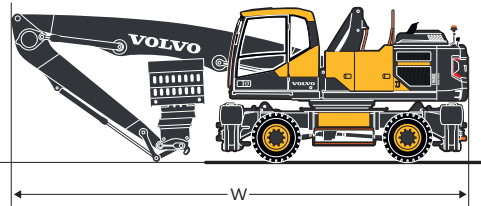
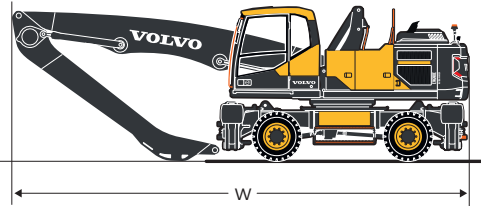
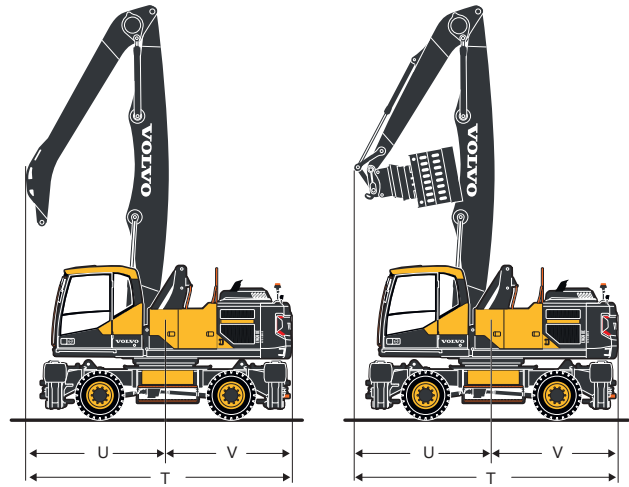
With front and rear outriggers kg (lb) 26 500 (58,422)

Specifications



DIMENSIONS

Model	EW200E		EW240E							
A	mm	ft in	2,520	8'3"	2,540	8'4"				
B	mm	ft in	2,114	6'11"	2,114	6'11"				
C	mm	ft in	2,540 / 2,750	8'4" / 9'0"	2,700	8'10"				
C'	mm	ft in	-	-	2,950	9'8"				
D	mm	ft in	250	0'10"	250	0'10"				
E	mm	ft in	351	1'2"	351	1'2"				
F (with FOPS)	mm	ft in	3,240	10'8"	3,275	10'9"				
G	mm	ft in	3,190	10'6"	3,220	10'7"				
H	mm	ft in	3,750	12'4"	3,860	12'8"				
I	mm	ft in	4,040	13'3"	4,260	14'				
J (with FOPS)	mm	ft in	5,740	18'10"	5,770	18'11"				
K	mm	ft in	5,690	18'8"	5,720	18'9"				
L	mm	ft in	2,190	7'2"	2,620	8'7"				
M	mm	ft in	1,450	4'9"	1,375	4'6"				
N	mm	ft in	1,150	3'9"	1,375	4'6"				
O	mm	ft in	2,300	7'7"	2,310	7'7"				
P	mm	ft in	1,950	6'5"	2,290	7'6"				
Q	mm	ft in	2,525	8'3"	2,535	8'4"				
R	mm	ft in	2,175	7'2"	2,515	8'3"				
S	mm	ft in	1,280	4'2"	1,310	4'4"				
X	mm	ft in	4,880	16'0"	-	-				
Y	mm	ft in	1,180	3'10"	-	-				
Z	mm	ft in	500	1'8"	-	-				
			Straight boom 5.5 m (18'1")		Straight boom 6.5 m (21'4")					
			Gooseneck arm 4.0 m (13'1") G9	Sorting arm 3.5 m (11'6") S9	Gooseneck arm 5.0 m (16'5") G11	Sorting arm 4.0 m (13'1") S11				
T	mm	ft in	4,870	16'	4,910	16'1"	5,430	17'10"	5,480	18'
U	mm	ft in	2,630	8'8"	2,630	8'8"	2,800	9'2"	2,850	9'4"
V	mm	ft in	2,240	7'4"	2,240	7'4"	2,620	8'7"	2,620	8'7"
W	mm	ft in	8,190	26'10"	8,140	26'8"	9,550	31'4"	9,550	31'4"
			Straight boom 6.25 m (20'6")		Straight boom 7.25 m (23'9")					
			Gooseneck arm 4.0 m (13'1") G10		Gooseneck arm 5.0 m (16'5") G12					
T	mm	ft in	4,840	15'11"	5,590	18'4"				
U	mm	ft in	2,630	8'8"	2,960	9'9"				
V	mm	ft in	2,240	7'4"	2,620	8'7"				
W	mm	ft in	8,950	29'4"	10,280	33'9"				



RECOMMENDED ATTACHMENTS

ORANGE PEEL GRAPPLE/POLY GRAB

The 450L grapple is recommended for the EW200E, while the 600 grapples are recommended for the EW240E.

Volume		Weight (grapple only)		Max. load capacity		Weight including H-Suspension		Maximum material density	
l	gal	kg	lb	kg	lb	kg	lb	t/m ³	lb/yd ³
450	119	970	2,138	7,000	15,432	1,100	2,425	2.4	4,045
600	158	1,600	3,527	7,000	15,432	1,700	3,748	2.8	4,720
800	211	1,560	3,439	7,000	15,432	1,700	3,748	2.1	3,540

RECOMMENDED ATTACHMENTS

SORTING GRAB

The 450L grapple is recommended for the EW200E, while the 650L grapples are recommended for the EW240E.

Quick coupler S60, weight: 140 kg (309 lb)

Volume		Weight (grapple only)		Max. load capacity		Maximum material density							
						Direct Fit				S60			
						Weight		Density		Weight		Density	
l	gal	kg	lb	kg	lb	kg	lb	t/m ³	lb/yd ³	kg	lb	t/m ³	lb/yd ³
300	79	650	172	4,000	8,818	750	1,653	2.6	4,382	770	1,698	2.6	4,382
450	119	1,120	2,469	5,000	11,023	1,370	3,020	3.1	5,225	1,285	2,833	2.9	4,888
650	172	1,170	2,579	5,000	11,023	1,420	3,131	2.2	3,708	1,310	2,888	2.0	3,371
800	211	1,600	3,527	6,000	13,228	1,845	4,068	-2.3	3,877	1,740	3,836	2.2	3,708

Machine selector

Boom		Goose neck arm		Reach		Name
m	ft in	m	ft in	mm	ft	
5.5	18'1"	4.0	13'1"	9 330	30.6	EW200E MH G9
6.25	20'6"	4.0	13'1"	10 060	33.0	EW200E MH G10
6.5	21'4"	5.0	16'5"	11 200	36.7	EW240E MH G11
7.25	23'9"	5.0	16'5"	12 000	39.4	EW240E MH G12

Boom		Sorting arm		Reach		Name
m	ft in	m	ft in	mm	ft	
5.5	18'1"	3.5	11'6"	9 020	29.6	EW200E MH S9
6.5	21'4"	4.0	13'1"	10 500	34.4	EW240E MH S11



EW200E MH G9

EW200E MH G10

EW240E MH G11

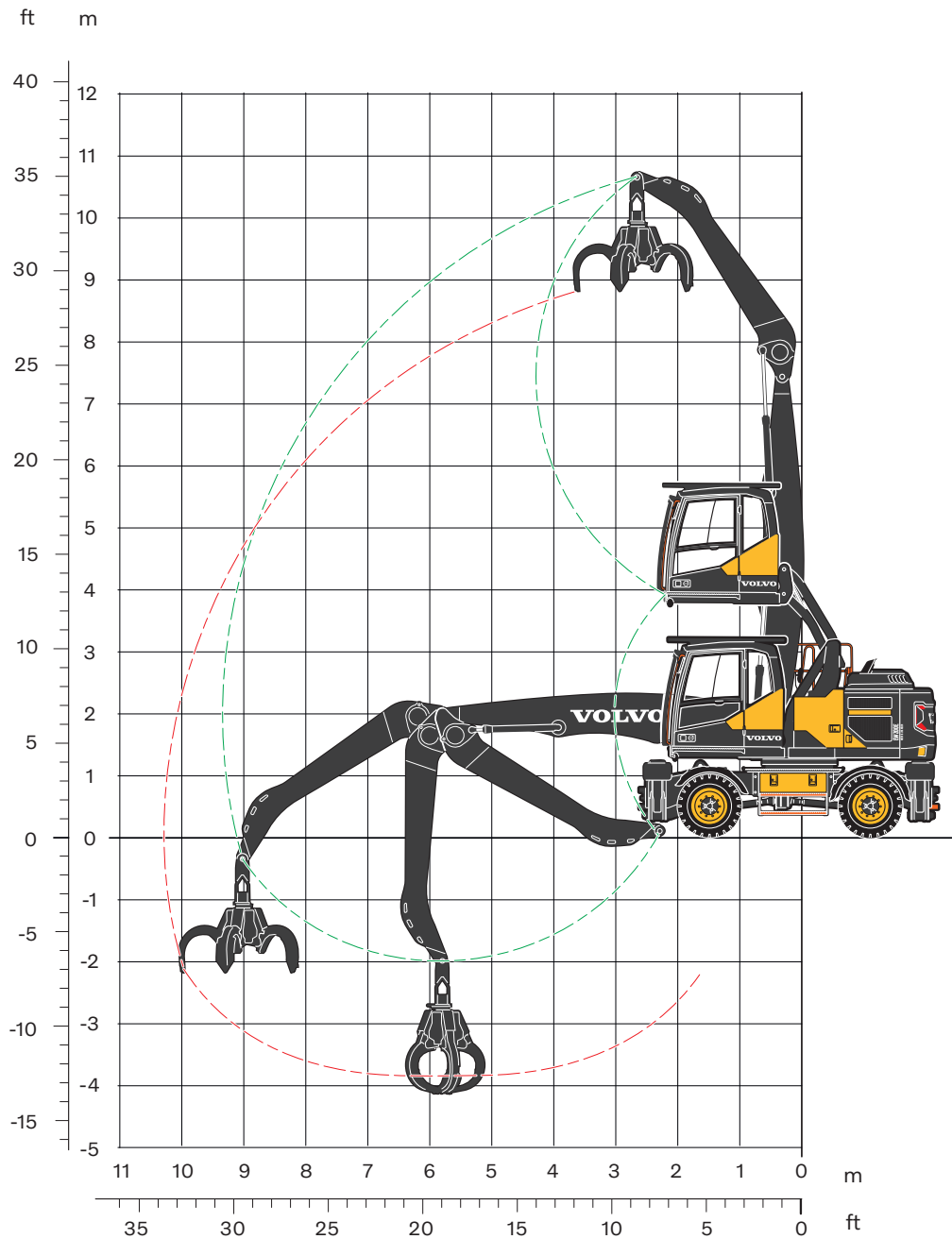
EW240E MH G12

EW200E MH S9

EW240E MH S11

Specifications

EW200E Material Handler G9



ORANGE PEEL GRAPPLE/POLY GRAB EW200E MH G9

With poly grapple on gooseneck arm

Width (closed)	mm	ft in	1,330	4'4"
Opening width	mm	ft in	1,920	6'4"
Height (closed)	mm	ft in	2,100	6'11"
Volume	l	gal	450	119

LIFTING CAPACITY EW200E MATERIAL HANDLER G9

At the arm end without grapple. For lifting capacity including grapple, simply subtract actual weight of this part from the following values.

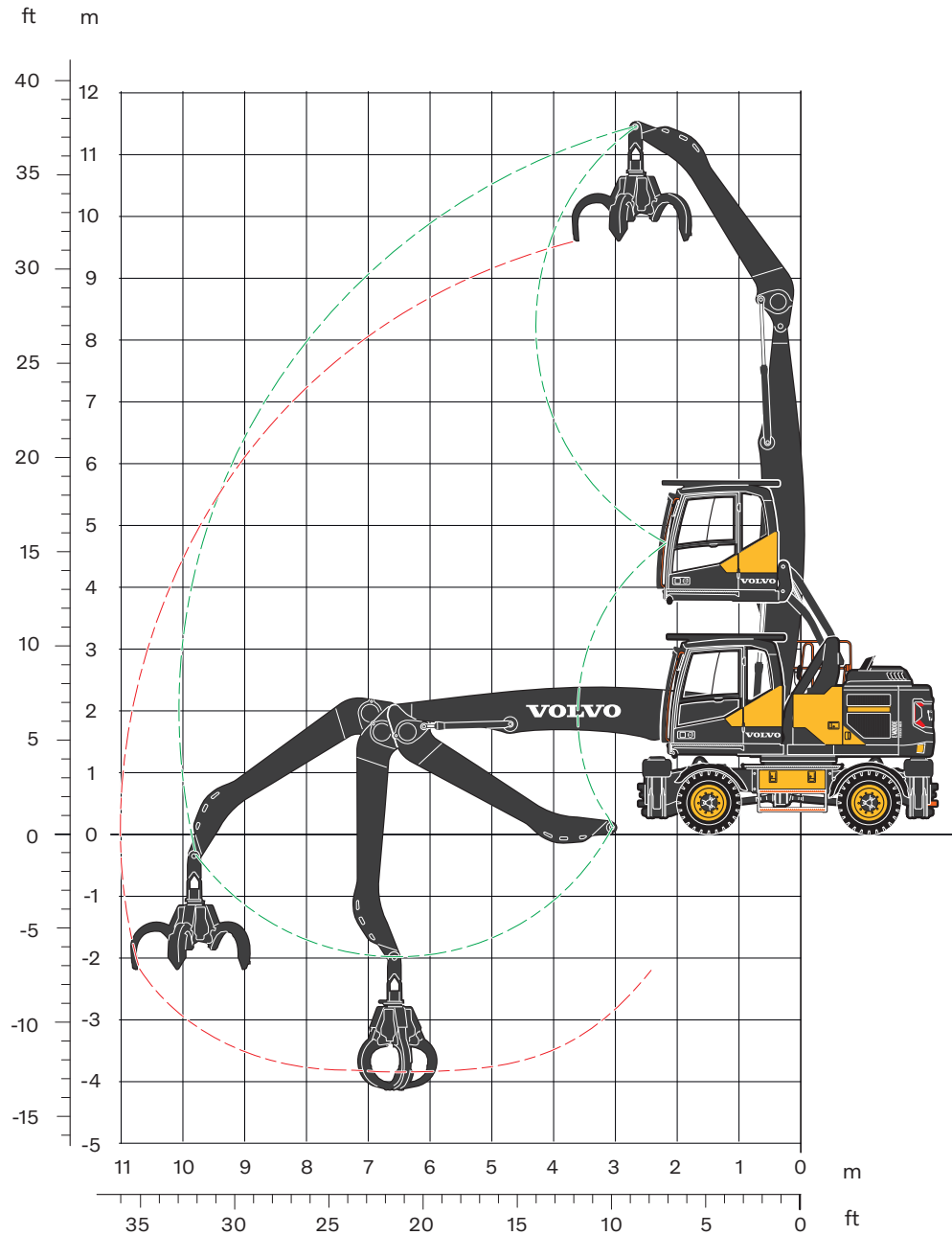
Unit: ● 1 000 kg / ■ 1 000 lb

Notes: 1. Working pressure = 35 MPa (5,080 psi). 2. The above values are in compliance with ISO standard 10 567. They do not exceed 87 % of hydraulic lifting capacity or 75 % of tipping load, with the machine on firm, level ground. 3. Load capacities marked with an asterisk (*) are limited by machine's hydraulic lifting capacity rather than tipping load.

Lifting point	Reach from machine centre (u = support up/d = support down)													
	3.0 m (10 ft)				4.5 m (15 ft)				6.0 m (20 ft)					
	Across UC		Along UC		Across UC		Along UC		Across UC		Along UC			
	u	d	u	d	u	d	u	d	u	d	u	d		
Boom 5.5 m (18'11") Gooseneck arm 4.0 m (13'11") Blade front & Outrigger rear	10.5 m	●	6.5*	6.5*	6.5*	6.5*	-	-	-	-	-	-	-	
	35 ft	■	14.3*	14.3*	14.3*	14.3*	-	-	-	-	-	-	-	
	9.0 m	●	-	-	-	-	5.9	6.0*	6.0*	6.0*	-	-	-	
	30 ft	■	-	-	-	-	13.0	13.2*	13.2*	13.2*	-	-	-	
	7.5 m	●	-	-	-	-	5.7*	5.7*	5.7*	5.7*	3.8	5.1*	5.1*	
	25 ft	■	-	-	-	-	12.6*	12.6*	12.6*	12.6*	8.4	11.2*	11.2*	
	6.0 m	●	-	-	-	-	5.9	5.9*	5.9*	5.9*	3.8	5.2*	5.2*	
	20 ft	■	-	-	-	-	13.0	13.0*	13.0*	13.0*	8.4	11.5*	11.5*	
	4.5 m	●	7.9*	7.9*	7.9*	7.9*	5.6	6.7*	6.7*	6.7*	3.7	5.5*	5.5*	
	15 ft	■	17.4*	17.4*	17.4*	17.4*	12.3	14.8*	14.8*	14.8*	8.2	12.1*	12.1*	
	3.0 m	●	9.5	11.6*	11.6*	11.6*	5.3	7.8*	7.8*	7.8*	3.5	6.0*	6.0*	
	10 ft	■	20.9	25.6*	25.6*	25.6*	11.7	17.2*	17.2*	17.2*	7.7	13.2*	11.9	
	1.5 m	●	3.9*	3.9*	3.9*	3.9*	4.9	8.7*	7.9	8.7*	3.3	6.0	5.2	
	5 ft	■	8.6*	8.6*	8.6*	8.6*	10.8	19.2*	17.4	19.2*	7.3	13.2	11.5	
	0.0 m	●	3.5*	3.5*	3.5*	3.5*	4.7	8.8*	7.7	8.8*	3.2	5.8	5.1	
	0 ft	■	7.7*	7.7*	7.7*	7.7*	10.4	19.4*	17.0	19.4*	7.1	12.8	11.2	
	-1.5 m	●	-	-	-	-	4.6	7.9*	7.6	7.9*	3.1	5.7	5.0	
	-5 ft	■	-	-	-	-	10.1	17.4*	16.8	17.4*	6.8	12.6	11.0	
	Lifting point	7.5 m (25 ft)				9.0 m (30 ft)				Max.				
		Across UC		Along UC		Across UC		Along UC		Across UC		Along UC		Max.
10.5 m	●	-	-	-	-	-	-	-	-	6.0*	6.0*	6.0*	6.0*	3.3 m
35 ft	■	-	-	-	-	-	-	-	-	13.2*	13.2*	13.2*	13.2*	10.8 ft
9.0 m	●	-	-	-	-	-	-	-	-	3.8	4.4*	4.4*	4.4*	6.0 m
30 ft	■	-	-	-	-	-	-	-	-	8.4	9.7*	9.7*	9.7	19.7 ft
7.5 m	●	-	-	-	-	-	-	-	-	2.7	4.0*	4.0*	4.0	7.5 m
25 ft	■	-	-	-	-	-	-	-	-	6.0	8.8*	8.8*	8.8	24.6 ft
6.0 m	●	2.7	4.6	4.1	4.6*	-	-	-	-	2.2	3.8*	3.4	3.8	8.4 m
20 ft	■	6.0	10.1	9.0	10.1*	-	-	-	-	4.9	8.4*	7.5	8.4	27.6 ft
4.5 m	●	2.6	4.5	4.0	4.8*	-	-	-	-	2.0	3.5	3.0	3.8	9.0 m
15 ft	■	5.7	9.9	8.8	10.6*	-	-	-	-	4.4	7.7	6.6	8.4	29.5 ft
3.0 m	●	2.6	4.4	3.9	4.9*	2.0	3.4	3.0	4.2*	1.9	3.3	2.9	3.9	9.3 m
10 ft	■	5.7	9.7	8.6	10.8*	4.4	7.5	6.6	9.3*	4.2	7.3	6.4	8.6	30.5 ft
1.5 m	●	2.5	4.3	3.8	5.1*	1.9	3.4	3.0	4.1*	1.8	3.2	2.8	3.8	9.3 m
5 ft	■	5.5	9.5	8.4	11.2*	4.2	7.5	6.6	9.0*	4.0	7.1	6.2	8.4	30.5 ft
0.0 m	●	2.4	4.3	3.7	5.0*	1.9	3.3	2.9	3.7*	1.9	3.3	2.9	3.6	9.1 m
0 ft	■	5.3	9.5	8.2	11.0*	4.2	7.3	6.4	8.2*	4.2	7.3	6.4	7.9	29.9 ft
-1.5 m	●	2.4	4.2	3.7	4.4*	-	-	-	-	2.3	4.1	3.6	4.2	7.7 m
-5 ft	■	5.3	9.3	8.2	9.7*	-	-	-	-	5.1	9.0	7.9	9.3	25.3 ft
Boom 5.5 m (18'11") Gooseneck arm 4.0 m (13'11") Outrigger Front & Rear	Lifting point	3.0 m (10 ft)				4.5 m (15 ft)				6.0 m (20 ft)				
		Across UC		Along UC		Across UC		Along UC		Across UC		Along UC		
	10.5 m	●	6.5*	6.5*	6.5*	6.5*	-	-	-	-	-	-	-	
	35 ft	■	14.3*	14.3*	14.3*	14.3*	-	-	-	-	-	-	-	
	9.0 m	●	-	-	-	-	6.0*	6.0*	6.0*	6.0*	-	-	-	
	30 ft	■	-	-	-	-	13.2*	13.2*	13.2*	13.2*	-	-	-	
	7.5 m	●	-	-	-	-	5.7*	5.7*	5.7*	5.7*	3.9	5.1*	5.1*	
	25 ft	■	-	-	-	-	12.6*	12.6*	12.6*	12.6*	8.6	11.2*	11.2*	
	6.0 m	●	-	-	-	-	5.9*	5.9*	5.9*	5.9*	3.9	5.2*	5.2*	
	20 ft	■	-	-	-	-	13.0*	13.0*	13.0*	13.0*	8.6	11.5*	11.5*	
	4.5 m	●	7.9*	7.9*	7.9*	7.9*	5.8	6.7*	6.7*	6.7*	3.8	5.5*	5.5*	
	15 ft	■	17.4*	17.4*	17.4*	17.4*	12.8	14.8*	14.8*	14.8*	8.4	12.1*	12.1*	
	3.0 m	●	9.7	11.6*	11.6*	11.6*	5.4	7.8*	7.8*	7.8*	3.6	6.0*	6.0*	
	10 ft	■	21.4	25.6*	25.6*	25.6*	11.9	17.2*	17.2*	17.2*	7.9	13.2*	11.9	
	1.5 m	●	3.9*	3.9*	3.9*	3.9*	5.0	8.7*	8.0	8.7*	3.4	6.4*	5.2	
	5 ft	■	8.6*	8.6*	8.6*	8.6*	11.0	19.2*	17.6	19.2*	7.5	14.1*	11.5	
	0.0 m	●	3.5*	3.5*	3.5*	3.5*	4.8	8.8*	7.7	8.8*	3.3	6.4*	5.1	
	0 ft	■	7.7*	7.7*	7.7*	7.7*	10.6	19.4*	17.0	19.4*	7.3	14.1*	11.2	
	-1.5 m	●	-	-	-	-	4.7	7.9*	7.6	7.9*	3.2	5.9*	5.0	
	-5 ft	■	-	-	-	-	10.4	17.4*	16.8	17.4*	7.1	13.0*	11.0	
Lifting point	7.5 m (25 ft)				9.0 m (30 ft)				Max.					
	Across UC		Along UC		Across UC		Along UC		Across UC		Along UC		Max.	
10.5 m	●	-	-	-	-	-	-	-	-	6.0*	6.0*	6.0*	6.0*	3.3 m
35 ft	■	-	-	-	-	-	-	-	-	13.2*	13.2*	13.2*	13.2*	10.8 ft
9.0 m	●	-	-	-	-	-	-	-	-	3.9	4.4*	4.4*	4.4*	6.0 m
30 ft	■	-	-	-	-	-	-	-	-	8.6	9.7*	9.7*	9.7	19.7 ft
7.5 m	●	-	-	-	-	-	-	-	-	2.8	4.0*	4.0*	4.0*	7.5 m
25 ft	■	-	-	-	-	-	-	-	-	6.2	8.8*	8.8*	8.8*	24.6 ft
6.0 m	●	2.8	4.6*	4.1	4.6*	-	-	-	-	2.3	3.8*	3.4	3.8*	8.4 m
20 ft	■	6.2	10.1*	9.0	10.1*	-	-	-	-	5.1	8.4*	7.5	8.4*	27.6 ft
4.5 m	●	2.7	4.8*	4.0	4.8*	-	-	-	-	2.1	3.8*	3.1	3.8*	9.0 m
15 ft	■	6.0	10.6*	8.8	10.6*	-	-	-	-	4.6	8.4*	6.8	8.4*	29.5 ft
3.0 m	●	2.6	4.9*	3.9	4.9*	2.0	4.1	3.0	4.2*	1.9	3.9	2.9	3.9*	9.3 m
10 ft	■	5.7	10.8*	8.6	10.8*	4.4	9.0	6.6	9.3*	4.2	8.6	6.4	8.6*	30.5 ft
1.5 m	●	2.5	5.1*	3.8	5.1*	2.0	4.0	3.0	4.1*	1.9	3.8	2.8	3.8*	9.3 m
5 ft	■	5.5	11.2*	8.4	11.2*	4.4	8.8	6.6	9.0*	4.2	8.4	6.2	8.4*	30.5 ft
0.0 m	●	2.5	5.0*	3.8	5.0*	2.0	3.7*	3.0	3.7*	1.9	3.6*	2.9	3.6*	9.1 m
0 ft	■	5.5	11.0*	8.4	11.0*	4.4	8.2*	6.6	8.2*	4.2	7.9*	6.4	7.9*	29.9 ft
-1.5 m	●	2.4	4.4*	3.7	4.4*	-	-	-	-	2.3	4.2*	3.6	4.2*	7.7 m
-5 ft	■	5.3	9.7*	8.2	9.7*	-	-	-	-	5.1	9.3*	7.9	9.3*	25.3 ft

Specifications

EW200E Material Handler G10



ORANGE PEEL GRAPPLE/POLY GRAB EW200E MH G10

With poly grapple on gooseneck arm

Width (closed)	mm	ft in	1,330	4'4"
Opening width	mm	ft in	1,920	6'4"
Height (closed)	mm	ft in	2,100	6'11"
Volume	l	gal	450	119

LIFTING CAPACITY EW200E MATERIAL HANDLER G10

At the arm end without grapple. For lifting capacity including grapple, simply subtract actual weight of this part from the following values.

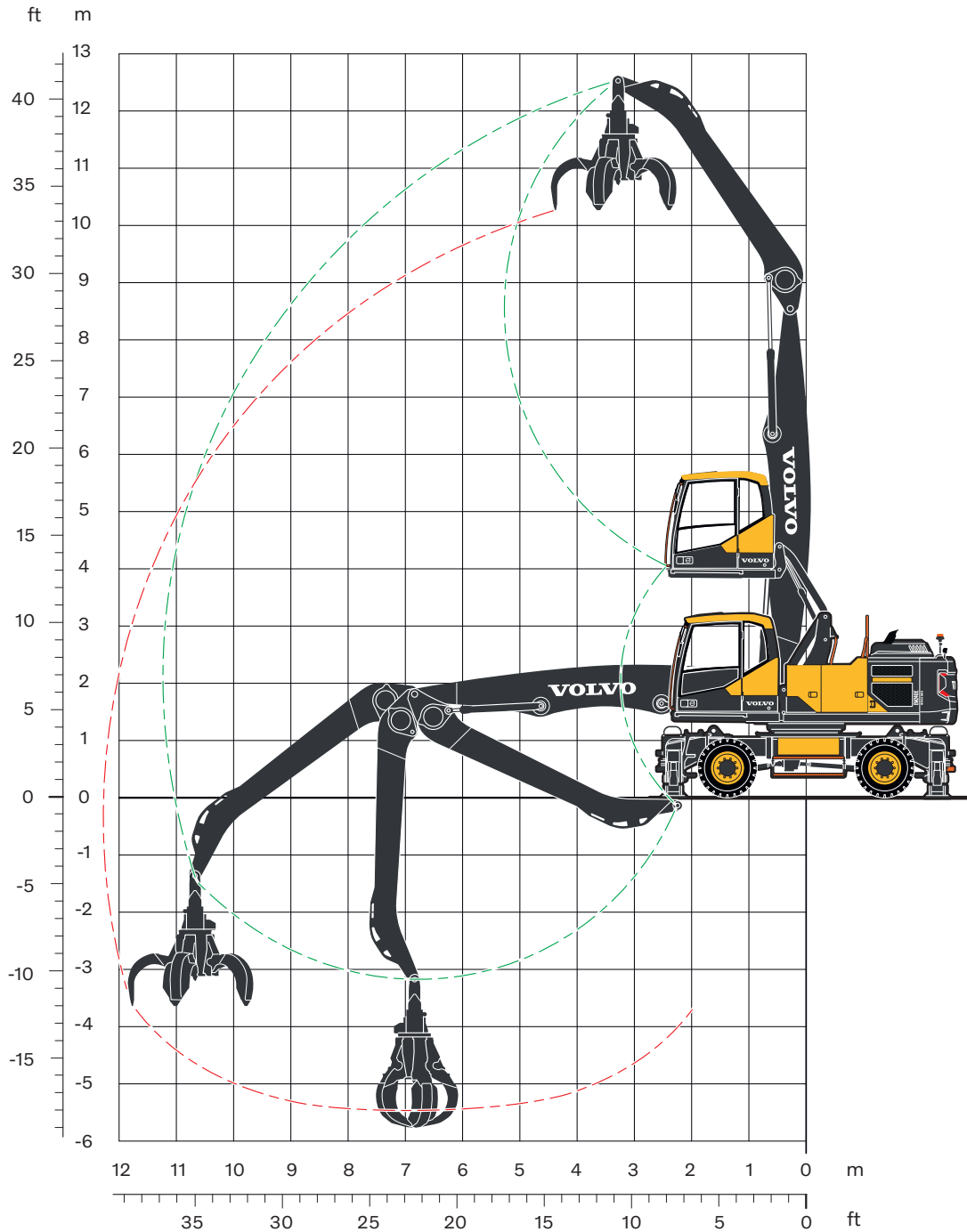
Unit: ● 1 000 kg / ■ 1 000 lb

Notes: 1. Working pressure = 35 MPa (5,080 psi). 2. The above values are in compliance with ISO standard 10 567. They do not exceed 87 % of hydraulic lifting capacity or 75 % of tipping load, with the machine on firm, level ground. 3. Load capacities marked with an asterisk (*) are limited by machine's hydraulic lifting capacity rather than tipping load.

Lifting point	Reach from machine centre (u = support up/d = support down)													
	3.0 m (10 ft)				4.5 m (15 ft)				6.0 m (20 ft)					
	Across UC		Along UC		Across UC		Along UC		Across UC		Along UC			
	u	d	u	d	u	d	u	d	u	d	u	d		
Boom 6.25 m (20'6")	10.5 m ●	-	-	-	-	5.7*	5.7*	5.7*	5.7*	-	-	-	-	
	35 ft ■	-	-	-	-	12.6*	12.6*	12.6*	12.6*	-	-	-	-	
	9.0 m ●	-	-	-	-	5.7*	5.7*	5.7*	5.7*	3.8	5.0*	5.0*	5.0*	
	30 ft ■	-	-	-	-	12.6*	12.6*	12.6*	12.6*	8.4	11.0*	11.0*	11.0*	
	7.5 m ●	-	-	-	-	5.7*	5.7*	5.7*	5.7*	3.8	4.9*	4.9*	4.9*	
	25 ft ■	-	-	-	-	12.6*	12.6*	12.6*	12.6*	8.4	10.8*	10.8*	10.8*	
	6.0 m ●	-	-	-	-	5.8	6.1*	6.1*	6.1*	3.8	5.1*	5.1*	5.1*	
	20 ft ■	-	-	-	-	12.8	13.4*	13.4*	13.4*	8.4	11.2*	11.2*	11.2*	
	4.5 m ●	9.8*	9.8*	9.8*	9.8*	5.4	6.9*	6.9*	6.9*	3.6	5.5*	5.5*	5.5*	
	15 ft ■	21.6*	21.6*	21.6*	21.6*	11.9	15.2*	15.2*	15.2*	7.9	12.1*	12.1*	12.1*	
	3.0 m ●	-	-	-	-	5.0	8.0*	8.0*	8.0*	3.4	5.9*	5.2	5.9*	
	10 ft ■	-	-	-	-	11.0	17.6*	17.6*	17.6*	7.5	13.0*	11.5	13.0*	
	1.5 m ●	-	-	-	-	4.6	8.5*	7.6	8.5*	3.1	5.8	5.0	6.2*	
	5 ft ■	-	-	-	-	10.1	18.7*	16.8	18.7*	6.8	12.8	11.0	13.7*	
	0.0 m ●	-	-	-	-	4.3	6.5*	6.5*	6.5*	3.0	5.6	4.9	6.2*	
	0 ft ■	-	-	-	-	9.5	14.3*	14.3*	14.3*	6.6	12.3	10.8	13.7*	
-1.5 m ●	-	-	-	-	-	-	-	-	2.9	5.5	4.8	5.6*		
-5 ft ■	-	-	-	-	-	-	-	-	6.4	12.1	10.6	12.3*		
Gooseneck arm 4.0 m (13'1") Blade Front & Outrigger Rear	Lifting point	7.5 m (25 ft)				9.0 m (30 ft)				Max.				
		Across UC		Along UC		Across UC		Along UC		Across UC		Along UC		Max.
		u	d	u	d	u	d	u	d	u	d	u	d	
	10.5 m ●	-	-	-	-	-	-	-	-	4.8	5.0*	5.0*	5.0*	5.1 m
	35 ft ■	-	-	-	-	-	-	-	-	10.6	11.0*	11.0*	11.0*	16.7 ft
	9.0 m ●	-	-	-	-	-	-	-	-	2.9	4.2*	4.2*	4.2*	7.1 m
	30 ft ■	-	-	-	-	-	-	-	-	6.4	9.3*	9.3*	9.3*	23.3 ft
	7.5 m ●	2.7	4.4*	4.1	4.4*	-	-	-	-	2.2	3.9	3.4	3.9*	8.4 m
	25 ft ■	6.0	9.7*	9.0	9.7*	-	-	-	-	4.9	8.6	7.5	8.6*	27.6 ft
	6.0 m ●	2.7	4.4*	4.0	4.4*	2.0	3.4	3.0	3.9*	1.9	3.3	2.9	3.8*	9.2 m
	20 ft ■	6.0	9.7*	8.8	9.7*	4.4	7.5	6.6	8.6*	4.2	7.3	6.4	8.4*	30.2 ft
	4.5 m ●	2.6	4.5	3.9	4.6*	1.9	3.4	3.0	4.0*	1.7	3.0	2.6	3.7*	9.7 m
	15 ft ■	5.7	9.9	8.6	10.1*	4.2	7.5	6.6	8.8*	3.7	6.6	5.7	8.2*	31.8 ft
	3.0 m ●	2.5	4.3	3.8	4.8*	1.9	3.3	2.9	4.0*	1.6	2.9	2.5	3.5*	10.0 m
	10 ft ■	5.5	9.5	8.4	10.6*	4.2	7.3	6.4	8.8*	3.5	6.4	5.5	7.7*	32.8 ft
	1.5 m ●	2.3	4.2	3.7	4.9*	1.8	3.3	2.9	4.0*	1.6	2.8	2.5	3.4*	10.0 m
5 ft ■	5.1	9.3	8.2	10.8*	4.0	7.3	6.4	8.8*	3.5	6.2	5.5	7.5*	32.8 ft	
0.0 m ●	2.3	4.1	3.6	4.8*	1.8	3.2	2.8	3.8*	1.6	2.9	2.5	3.2*	9.9 m	
0 ft ■	5.1	9.0	7.9	10.6*	4.0	7.1	6.2	8.4*	3.5	6.4	5.5	7.1*	32.5 ft	
-1.5 m ●	2.2	4.1	3.6	4.4*	-	-	-	-	1.9	3.5	3.0	3.7*	8.5 m	
-5 ft ■	4.9	9.0	7.9	9.7*	-	-	-	-	4.2	7.7	6.6	8.2*	27.9 ft	
Boom 6.25 m (20'6") Gooseneck arm 4.0 m (13'1") Outrigger Front & Rear	Lifting point	3.0 m (10 ft)				4.5 m (15 ft)				6.0 m (20 ft)				
		Across UC		Along UC		Across UC		Along UC		Across UC		Along UC		
		u	d	u	d	u	d	u	d	u	d	u	d	
	10.5 m ●	-	-	-	-	5.7*	5.7*	5.7*	5.7*	-	-	-	-	
	35 ft ■	-	-	-	-	12.6*	12.6*	12.6*	12.6*	-	-	-	-	
	9.0 m ●	-	-	-	-	5.7*	5.7*	5.7*	5.7*	3.9	5.0*	5.0*	5.0*	
	30 ft ■	-	-	-	-	12.6*	12.6*	12.6*	12.6*	8.6	11.0*	11.0*	11.0*	
	7.5 m ●	-	-	-	-	5.7*	5.7*	5.7*	5.7*	3.9	4.9*	4.9*	4.9*	
	25 ft ■	-	-	-	-	12.6*	12.6*	12.6*	12.6*	8.6	10.8*	10.8*	10.8*	
	6.0 m ●	-	-	-	-	5.9	6.1*	6.1*	6.1*	3.8	5.1*	5.1*	5.1*	
	20 ft ■	-	-	-	-	13.0	13.4*	13.4*	13.4*	8.4	11.2*	11.2*	11.2*	
	4.5 m ●	9.8*	9.8*	9.8*	9.8*	5.6	6.9*	6.9*	6.9*	3.7	5.5*	5.5*	5.5*	
	15 ft ■	21.6*	21.6*	21.6*	21.6*	12.3	15.2*	15.2*	15.2*	8.2	12.1*	12.1*	12.1*	
	3.0 m ●	-	-	-	-	5.1	8.0*	8.0*	8.0*	3.4	5.9*	5.3	5.9*	
	10 ft ■	-	-	-	-	11.2	17.6*	17.6*	17.6*	7.5	13.0*	11.7	13.0*	
	1.5 m ●	-	-	-	-	4.7	8.5*	7.6	8.5*	3.2	6.2*	5.0	6.2*	
5 ft ■	-	-	-	-	10.4	18.7*	16.8	18.7*	7.1	13.7*	11.0	13.7*		
0.0 m ●	-	-	-	-	4.5	6.5*	6.5*	6.5*	3.1	6.2*	4.9	6.2*		
0 ft ■	-	-	-	-	9.9	14.3*	14.3*	14.3*	6.8	13.7*	10.8	13.7*		
-1.5 m ●	-	-	-	-	-	-	-	-	3.0	5.6*	4.8	5.6*		
-5 ft ■	-	-	-	-	-	-	-	-	6.6	12.3*	10.6	12.3*		
Gooseneck arm 4.0 m (13'1") Outrigger Front & Rear	Lifting point	7.5 m (25 ft)				9.0 m (30 ft)				Max.				
		Across UC		Along UC		Across UC		Along UC		Across UC		Along UC		Max.
		u	d	u	d	u	d	u	d	u	d	u	d	
	10.5 m ●	-	-	-	-	-	-	-	-	4.9	5.0*	5.0*	5.0*	5.1 m
	35 ft ■	-	-	-	-	-	-	-	-	10.8	11.0*	11.0*	11.0*	16.7 ft
	9.0 m ●	-	-	-	-	-	-	-	-	3.0	4.2*	4.2*	4.2*	7.1 m
	30 ft ■	-	-	-	-	-	-	-	-	6.6	9.3*	9.3*	9.3*	23.3 ft
	7.5 m ●	2.8	4.4*	4.1	4.4*	-	-	-	-	2.3	3.9*	3.4	3.9*	8.4 m
	25 ft ■	6.2	9.7*	9.0	9.7*	-	-	-	-	5.1	8.6*	7.5	8.6*	27.6 ft
	6.0 m ●	2.7	4.4*	4.0	4.4*	2.0	3.9*	3.0	3.9*	1.9	3.8*	2.9	3.8*	9.2 m
	20 ft ■	6.0	9.7*	8.8	9.7*	4.4	8.6*	6.6	8.6*	4.2	8.4*	6.4	8.4*	30.2 ft
	4.5 m ●	2.6	4.6*	3.9	4.6*	2.0	4.0*	3.0	4.0*	1.7	3.6	2.7	3.7*	9.7 m
	15 ft ■	5.7	10.1*	8.6	10.1*	4.4	8.8*	6.6	8.8*	3.7	7.9	6.0	8.2*	31.8 ft
	3.0 m ●	2.5	4.8*	3.8	4.8*	1.9	4.0	2.9	4.0*	1.6	3.4	2.5	3.5*	10.0 m
	10 ft ■	5.5	10.6*	8.4	10.6*	4.2	8.8	6.4	8.8*	3.5	7.5	5.5	7.7*	32.8 ft
	1.5 m ●	2.4	4.9*	3.7	4.9*	1.9	3.9	2.9	4.0*	1.6	3.4	2.5	3.4*	10.0 m
5 ft ■	5.3	10.8*	8.2	10.8*	4.2	8.6	6.4	8.8*	3.5	7.5	5.5	7.5*	32.8 ft	
0.0 m ●	2.3	4.8*	3.6	4.8*	1.8	3.8*	2.8	3.8*	1.6	3.2*	2.5	3.2*	9.9 m	
0 ft ■	5.1	10.6*	7.9	10.6*	4.0	8.4*	6.2	8.4*	3.5	7.1*	5.5	7.1*	32.5 ft	
-1.5 m ●	2.3	4.4*	3.6	4.4*	-	-	-	-	2.0	3.7*	3.0	3.7*	8.5 m	
-5 ft ■	5.1	9.7*	7.9	9.7*	-	-	-	-	4.4	8.2*	6.6	8.2*	27.9 ft	

Specifications

EW240E Material Handler G11



ORANGE PEEL GRAPPLE/POLY GRAB EW240E MH G11

With poly grapple on gooseneck arm

Width (closed)	mm	ft in	1,520	5'
Opening width	mm	ft in	2,130	7'
Height (closed)	mm	ft in	2,580	8'6"
Volume	l	gal	600	158

LIFTING CAPACITY EW240E MATERIAL HANDLER G11

At the arm end without grapple. For lifting capacity including grapple, simply subtract actual weight of this part from the following values.

Unit: ● 1 000 kg / ■ 1 000 lb

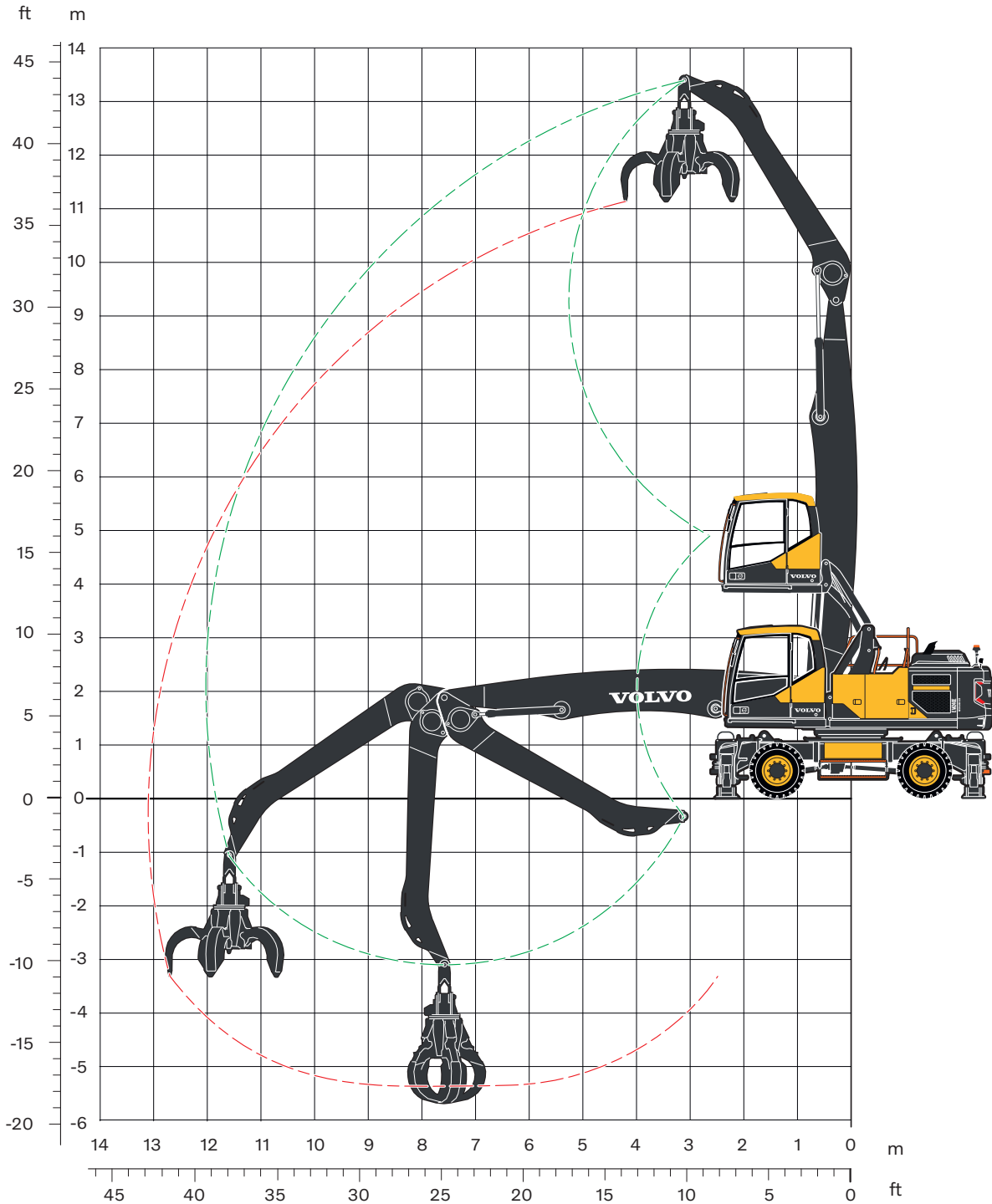
Notes: 1. Working pressure = 35 MPa (5,080 psi). 2. The above values are in compliance with ISO standard 10 567. They do not exceed 87 % of hydraulic lifting capacity or 75 % of tipping load, with the machine on firm, level ground. 3. Load capacities marked with an asterisk (*) are limited by machine's hydraulic lifting capacity rather than tipping load.

Lifting point	Reach from machine centre (u = support up/d = support down)																
	3.0 m (10 ft)				4.5 m (15 ft)				6.0 m (20 ft)								
	Across UC		Along UC		Across UC		Along UC		Across UC		Along UC						
	u	d	u	d	u	d	u	d	u	d	u	d					
12.0 m ●	-	-	-	-	6.8*	6.8*	6.8*	6.8*	-	-	-	-					
40 ft ■	-	-	-	-	15.0*	15.0*	15.0*	15.0*	-	-	-	-					
10.5 m ●	-	-	-	-	-	-	-	-	5.0	6.3*	6.3*	6.3*					
35 ft ■	-	-	-	-	-	-	-	-	11.0	13.9*	13.9*	13.9*					
9.0 m ●	-	-	-	-	-	-	-	-	5.1	6.0	6.0	6.0					
30 ft ■	-	-	-	-	-	-	-	-	11.2	13.2	13.2	13.2					
7.5 m ●	-	-	-	-	-	-	-	-	5.0	6.1	6.1	6.1					
25 ft ■	-	-	-	-	-	-	-	-	11.0	13.4	13.4	13.4					
6.0 m ●	-	-	-	-	-	-	-	-	4.9	6.4	6.4	6.4					
20 ft ■	-	-	-	-	-	-	-	-	10.8	14.1	14.1	14.1					
4.5 m ●	-	-	-	-	7.2	8.7	8.7	8.7	4.6	7.0	6.2	7.0					
15 ft ■	-	-	-	-	15.9	19.2	19.2	19.2	10.1	15.4	13.7	15.4					
3.0 m ●	-	-	-	-	6.4	10.1	9.0	10.1	4.3	7.7	5.9	7.7					
10 ft ■	-	-	-	-	14.1	22.3	19.8	22.3	9.5	17.0	13.0	17.0					
1.5 m ●	-	-	-	-	5.8	11.3	8.3	11.3	3.9	8.2	5.5	8.2					
5 ft ■	-	-	-	-	12.8	24.9	18.3	24.9	8.6	18.1	12.1	18.1					
0.0 m ●	3.4	3.4	3.4	3.4	5.3	10.4	7.8	10.4	3.7	8.2	5.2	8.3					
0 ft ■	7.5	7.5	7.5	7.5	11.7	22.9	17.2	22.9	8.2	18.1	11.5	18.3					
-1.5 m ●	-	-	-	-	5.1	9.1	7.6	9.1	3.5	7.9	5.1	7.9					
-5 ft ■	-	-	-	-	11.2	20.1	16.8	20.1	7.7	17.4	11.2	17.4					
-3.0 m ●	-	-	-	-	-	-	-	-	3.5	6.8	5.0	6.8					
-10 ft ■	-	-	-	-	-	-	-	-	7.7	15.0	11.0	15.0					
Lifting point	7.5 m (25 ft)				9.0 m (30 ft)				10.5 m (35 ft)				Max.				
	Across UC		Along UC		Across UC		Along UC		Across UC		Along UC		Across UC	Along UC	Max.		
	u	d	u	d	u	d	u	d	u	d	u	d	u	d			
12.0 m ●	-	-	-	-	-	-	-	-	-	-	-	-	6.4*	6.4*	6.4*	6.4*	4.7 m
40 ft ■	-	-	-	-	-	-	-	-	-	-	-	-	14.1*	14.1*	14.1*	14.1*	15.4 ft
10.5 m ●	-	-	-	-	-	-	-	-	-	-	-	-	3.7	5.2*	4.9	5.2*	7.2 m
35 ft ■	-	-	-	-	-	-	-	-	-	-	-	-	8.2	11.5*	10.8	11.5*	23.6 ft
9.0 m ●	3.5	5.5	4.7	5.5	-	-	-	-	-	-	-	-	2.7	4.7	3.6	4.7	8.7 m
30 ft ■	7.7	12.1	10.4	12.1	-	-	-	-	-	-	-	-	6.0	10.4	7.9	10.4	28.5 ft
7.5 m ●	3.5	5.5	4.7	5.5	2.6	5.0	3.4	5.0	-	-	-	-	2.2	4.4	3.0	4.5	9.8 m
25 ft ■	7.7	12.1	10.4	12.1	5.7	11.0	7.5	11.0	-	-	-	-	4.9	9.7	6.6	9.9	32.2 ft
6.0 m ●	3.4	5.6	4.6	5.6	2.5	5.0	3.4	5.0	-	-	-	-	1.9	3.9	2.6	4.4	10.5 m
20 ft ■	7.5	12.3	10.1	12.3	5.5	11.0	7.5	11.0	-	-	-	-	4.2	8.6	5.7	9.7	34.4 ft
4.5 m ●	3.3	5.9	4.4	5.9	2.4	4.9	3.3	5.2	1.9	3.8	2.6	4.5	1.7	3.6	2.4	4.3	10.9 m
15 ft ■	7.3	13.0	9.7	13.0	5.3	10.8	7.3	11.5	4.2	8.4	5.7	9.9	3.7	7.9	5.3	9.5	35.8 ft
3.0 m ●	3.1	6.3	4.2	6.3	2.3	4.8	3.2	5.3	1.8	3.8	2.5	4.5	1.6	3.4	2.3	4.2	11.2 m
10 ft ■	6.8	13.9	9.3	13.9	5.1	10.6	7.1	11.7	4.0	8.4	5.5	9.9	3.5	7.5	5.1	9.3	36.7 ft
1.5 m ●	2.9	6.1	4.0	6.5	2.2	4.7	3.1	5.4	1.8	3.7	2.5	4.4	1.6	3.4	2.3	4.0	11.2 m
5 ft ■	6.4	13.4	8.8	14.3	4.9	10.4	6.8	11.9	4.0	8.2	5.5	9.7	3.5	7.5	5.1	8.8	36.7 ft
0.0 m ●	2.7	5.9	3.9	6.5	2.1	4.6	3.0	5.2	1.7	3.7	2.4	4.2	1.6	3.4	2.3	3.8	11.0 m
0 ft ■	6.0	13.0	8.6	14.3	4.6	10.1	6.6	11.5	3.7	8.2	5.3	9.3	3.5	7.5	5.1	8.4	36.1 ft
-1.5 m ●	2.6	5.8	3.8	6.1	2.1	4.5	3.0	4.9	-	-	-	-	1.7	3.6	2.4	3.6	10.5 m
-5 ft ■	5.7	12.8	8.4	13.4	4.6	9.9	6.6	10.8	-	-	-	-	3.7	7.9	5.3	7.9	34.4 ft
-3.0 m ●	2.6	5.3	3.7	5.3	-	-	-	-	-	-	-	-	2.5	5.0	3.5	5.0	7.8 m
-10 ft ■	5.7	11.7	8.2	11.7	-	-	-	-	-	-	-	-	5.5	11.0	7.7	11.0	25.6 ft

Straight boom
6.5 m (21'4")
Gooseneck arm
5.0 m (16'5")
Front and rear
outriggers

Specifications

EW240E Material Handler G12



ORANGE PEEL GRAPPLE/POLY GRAB EW240E MH G12

With poly grapple on gooseneck arm

Width (closed)	mm	ft in	1,520	5'
Opening width	mm	ft in	2,130	7'
Height (closed)	mm	ft in	2,580	8'6"
Volume	l	gal	600	158

LIFTING CAPACITY EW240E MATERIAL HANDLER G12

At the arm end without grapple. For lifting capacity including grapple, simply subtract actual weight of this part from the following values.

Unit: ● 1 000 kg / ■ 1 000 lb

Notes: 1. Working pressure = 35 MPa (5,080 psi). 2. The above values are in compliance with ISO standard 10 567. They do not exceed 87 % of hydraulic lifting capacity or 75 % of tipping load, with the machine on firm, level ground. 3. Load capacities marked with an asterisk (*) are limited by machine's hydraulic lifting capacity rather than tipping load.

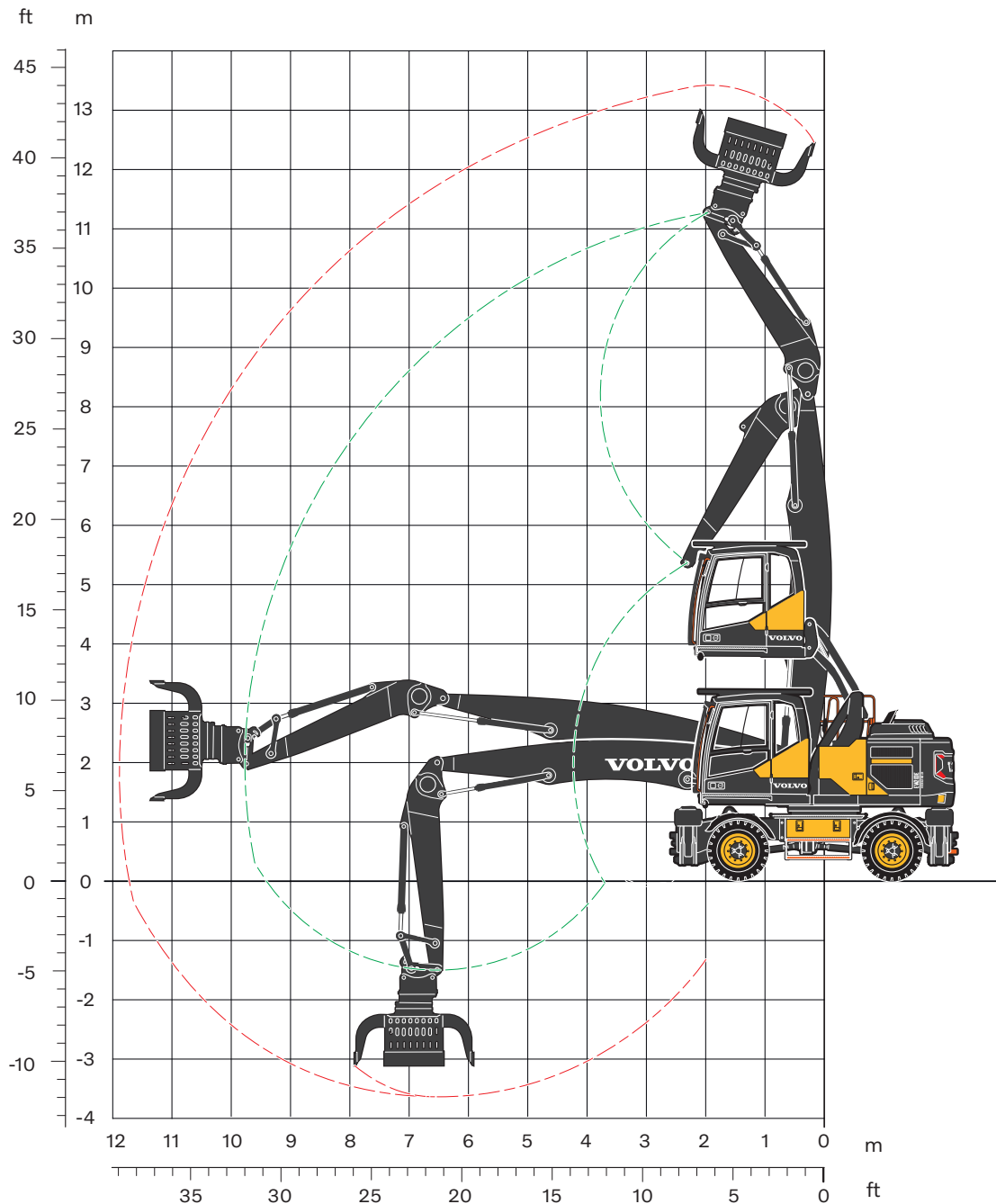
Lifting point	Reach from machine centre (u = support up/d = support down)											
	4.5 m (15 ft)				6.0 m (20 ft)				7.5 m (25 ft)			
	Across UC		Along UC		Across UC		Along UC		Across UC		Along UC	
	u	d	u	d	u	d	u	d	u	d	u	d
12.0 m ●	7.5*	7.5*	7.5*	7.5*	4.8	6.0*	6.0*	6.0*	-	-	-	-
40 ft ■	16.5*	16.5*	16.5*	16.5*	10.6	13.2*	13.2*	13.2*	-	-	-	-
10.5 m ●	-	-	-	-	5.0	6.1*	6.1*	6.1*	3.5	5.4*	4.6	5.4*
35 ft ■	-	-	-	-	11.0	13.4*	13.4*	13.4*	7.7	11.9*	10.1	11.9*
9.0 m ●	-	-	-	-	5.1	6.0*	6.0*	6.0*	3.5	5.3*	4.7	5.3*
30 ft ■	-	-	-	-	11.2	13.2*	13.2*	13.2*	7.7	11.7*	10.4	11.7*
7.5 m ●	-	-	-	-	5.0	6.1*	6.1*	6.1*	3.5	5.3*	4.6	5.3*
25 ft ■	-	-	-	-	11.0	13.4*	13.4*	13.4*	7.7	11.7*	10.1	11.7*
6.0 m ●	7.5	8.0*	8.0*	8.0*	4.7	6.5*	6.4	6.5*	3.3	5.6*	4.5	5.6*
20 ft ■	16.5	17.6*	17.6*	17.6*	10.4	14.3*	14.1	14.3*	7.3	12.3*	9.9	12.3*
4.5 m ●	6.8	9.1*	9.1*	9.1*	4.4	7.1*	6.0	7.1*	3.1	5.8*	4.3	5.8*
15 ft ■	15.0	20.1*	20.1*	20.1*	9.7	15.7*	13.2	15.7*	6.8	12.8*	9.5	12.8*
3.0 m ●	5.9	10.4*	8.5	10.4*	4.0	7.7*	5.6	7.7*	2.9	6.1	4.0	6.1*
10 ft ■	13.0	22.9*	18.7	22.9*	8.8	17.0*	12.3	17.0*	6.4	13.4	8.8	13.4*
1.5 m ●	5.2	8.1*	7.7	8.1*	3.6	8.0*	5.2	8.0*	2.7	5.9	3.8	6.3*
5 ft ■	11.5	17.9*	17.0	17.9*	7.9	17.6*	11.5	17.6*	6.0	13.0	8.4	13.9*
0.0 m ●	4.8*	5.9*	5.9*	5.9*	3.4	7.8	4.9	8.0*	2.5	5.7	3.6	6.3*
0 ft ■	10.6*	13.0*	13.0*	13.0*	7.5	17.2	10.8	17.6*	5.5	12.6	7.9	13.9*
-1.5 m ●	4.7	6.2*	6.2*	6.2*	3.2	7.4*	4.8	7.4*	2.4	5.6	3.5	5.9*
-5 ft ■	10.4	13.7*	13.7*	13.7*	7.1	16.3*	10.6	16.3*	5.3	12.3	7.7	13.0*
-3.0 m ●	-	-	-	-	-	-	-	-	2.4	5.1*	3.5	5.1*
-10 ft ■	-	-	-	-	-	-	-	-	5.3	11.2*	7.7	11.2*

Lifting point	9.0 m (30 ft)												10.5 m (35 ft)				12.0 m (40 ft)				Max.
	Across UC		Along UC		Across UC		Along UC		Across UC		Along UC		Across UC		Along UC						
	u	d	u	d	u	d	u	d	u	d	u	d	u	d	u	d					
12.0 m ●	-	-	-	-	-	-	-	-	-	-	-	-	-	-	-	-	4.3	5.3*	5.3*	5.3*	6.5 m
40 ft ■	-	-	-	-	-	-	-	-	-	-	-	-	-	-	-	-	9.5	11.7*	11.7*	11.7*	21.3 ft
10.5 m ●	-	-	-	-	-	-	-	-	-	-	-	-	-	-	-	-	2.8	4.7*	3.8	4.7*	8.4 m
35 ft ■	-	-	-	-	-	-	-	-	-	-	-	-	-	-	-	-	6.2	10.4*	8.4	10.4*	27.6 ft
9.0 m ●	2.5	4.8*	3.4	4.8*	-	-	-	-	-	-	-	-	-	-	-	-	2.2	4.3*	3.0	4.3*	9.7 m
30 ft ■	5.5	10.6*	7.5	10.6*	-	-	-	-	-	-	-	-	-	-	-	-	4.9	9.5*	6.6	9.5*	31.8 ft
7.5 m ●	2.5	4.8*	3.4	4.8*	1.9	3.9	2.6	4.3*	-	-	-	-	-	-	-	-	1.8	3.7	2.5	4.2*	10.7 m
25 ft ■	5.5	10.6*	7.5	10.6*	4.2	8.6	5.7	9.5*	-	-	-	-	-	-	-	-	4.0	8.2	5.5	9.3*	35.1 ft
6.0 m ●	2.5	4.9*	3.3	4.9*	1.9	3.8	2.6	4.3*	-	-	-	-	-	-	-	-	1.6	3.4	2.2	4.0*	11.3 m
20 ft ■	5.5	10.8*	7.3	10.8*	4.2	8.4	5.7	9.5*	-	-	-	-	-	-	-	-	3.5	7.5	4.9	8.8*	37.1 ft
4.5 m ●	2.3	4.8	3.2	5.0*	1.8	3.8	2.5	4.4*	-	-	-	-	-	-	-	-	1.4	3.1	2.1	3.9*	11.8 m
15 ft ■	5.1	10.6	7.1	11.0*	4.0	8.4	5.5	9.7*	-	-	-	-	-	-	-	-	3.1	6.8	4.6	8.6*	38.7 ft
3.0 m ●	2.2	4.7	3.1	5.1*	1.7	3.7	2.4	4.4*	-	-	-	-	-	-	-	-	1.4	3.0	2.0	3.7*	12.0 m
10 ft ■	4.9	10.4	6.8	11.2*	3.7	8.2	5.3	9.7*	-	-	-	-	-	-	-	-	3.1	6.6	4.4	8.2*	39.4 ft
1.5 m ●	2.1	4.5	3.0	5.2*	1.6	3.6	2.4	4.3*	1.3	3.0	1.9	3.5*	1.3	3.0	1.9	3.5*	1.3	3.0	1.9	3.5*	12.0 m
5 ft ■	4.6	9.9	6.6	11.5*	3.5	7.9	5.3	9.5*	2.9	6.6	4.2	7.7*	2.9	6.6	4.2	7.7*	2.9	6.6	4.2	7.7*	39.4 ft
0.0 m ●	2.0	4.4	2.9	5.1*	1.6	3.5	2.3	4.2*	-	-	-	-	-	-	-	-	1.3	3.0	2.0	3.3*	11.8 m
0 ft ■	4.4	9.7	6.4	11.2*	3.5	7.7	5.1	9.3*	-	-	-	-	-	-	-	-	2.9	6.6	4.4	7.3*	38.7 ft
-1.5 m ●	1.9	4.3	2.8	4.7*	1.6	3.5	2.3	3.7*	-	-	-	-	-	-	-	-	1.4	3.2	2.1	3.2*	11.3 m
-5 ft ■	4.2	9.5	6.2	10.4*	3.5	7.7	5.1	8.2*	-	-	-	-	-	-	-	-	3.1	7.1	4.6	7.1*	37.1 ft
-3.0 m ●	-	-	-	-	-	-	-	-	-	-	-	-	-	-	-	-	2.0	4.3*	2.9	4.3*	8.7 m
-10 ft ■	-	-	-	-	-	-	-	-	-	-	-	-	-	-	-	-	4.4	9.5*	6.4	9.5*	28.5 ft

Boom 7.25 m (23'9")
Gooseneck arm 5.0 m (16'5")
Front and rear outriggers

Specifications

EW200E Material Handler S9



SORTING GRAB EW200E MH S9

With sorting grab on sorting arm

Opening width	mm	ft in	2,000	6'7"
Height, max	mm	ft in	1,780	5'10"
Height, min	mm	ft in	1,550	5'1"
Volume	l	gal	650	172

LIFTING CAPACITY EW200E MATERIAL HANDLER S9

At the arm end without grapple. For lifting capacity including grapple, simply subtract actual weight of this part from the following values.

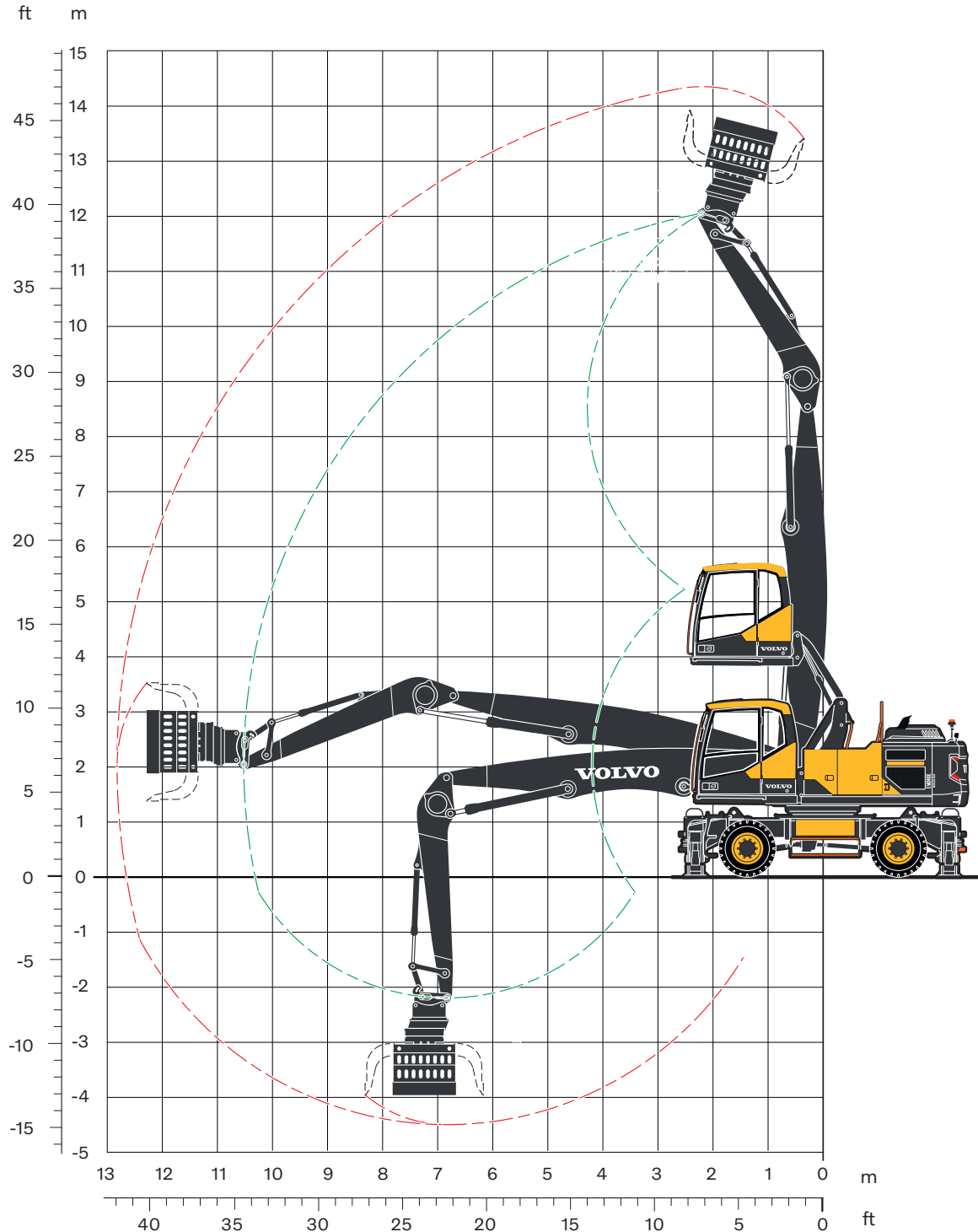
Unit: ● 1 000 kg / ■ 1 000 lb

Notes: 1. Working pressure = 35 MPa (5,080 psi). 2. The above values are in compliance with ISO standard 10 567. They do not exceed 87 % of hydraulic lifting capacity or 75 % of tipping load, with the machine on firm, level ground. 3. Load capacities marked with an asterisk (*) are limited by machine's hydraulic lifting capacity rather than tipping load.

	Lifting point	Reach from machine centre (u = support up/d = support down)														Max.										
		3.0 m (10 ft)		4.5 m (15 ft)		6.0 m (20 ft)		7.5 m (25 ft)		9.0 m (30 ft)		Across UC"		Along UC"		Max.										
		Across UC"	Along UC"	Across UC"	Along UC"	Across UC"	Along UC"	Across UC"	Along UC"	Across UC"	Along UC"	Across UC"	Along UC"	Across UC"	Along UC"											
		u	d	u	d	u	d	u	d	u	d	u	d	u	d	u	d									
Boom 5.5 m (18'1") Sorting Arm 3.5 m (11'6") Blade Front & Outrigger Rear"	10.5 m ●	-	-	-	-	-	-	-	-	-	-	-	-	-	-	-	-	8.8*	8.8*	8.8*	8.8*	2.2 m				
	35 ft ■	-	-	-	-	-	-	-	-	-	-	-	-	-	-	-	-	-	19.4*	19.4*	19.4*	19.4*	7.2 ft			
	9.0 m ●	-	-	-	-	5.6	6.3*	6.3*	6.3*	-	-	-	-	-	-	-	-	-	4.0	5.3*	5.3*	5.3*	5.5 m			
	30 ft ■	-	-	-	-	12.3	13.9*	13.9*	13.9*	-	-	-	-	-	-	-	-	-	8.8	11.7*	11.7*	11.7*	18.0 ft			
	7.5 m ●	-	-	-	-	5.7	5.9*	5.9*	5.9*	3.6	5.2*	5.2*	5.2*	-	-	-	-	-	2.7	4.5*	4.2	4.5*	7.1 m			
	25 ft ■	-	-	-	-	12.6	13.0*	13.0*	13.0*	7.9	11.5*	11.5*	11.5*	-	-	-	-	-	6.0	9.9*	9.3	9.9*	23.3 ft			
	6.0 m ●	-	-	-	-	5.6	6.2*	6.2*	6.2*	3.5	5.2*	5.2*	5.2*	2.5	4.3	3.8	4.6*	-	2.2	3.9	3.4	4.3*	8.0 m			
	20 ft ■	-	-	-	-	12.3	13.7*	13.7*	13.7*	7.7	11.5*	11.5*	11.5*	5.5	9.5	8.4	10.1*	-	4.9	8.6	7.5	9.5*	26.2 ft			
	4.5 m ●	8.9*	8.9*	8.9*	8.9*	5.3	6.9*	6.9*	6.9*	3.4	5.5*	5.3	5.5*	2.4	4.3	3.8	4.7*	-	1.9	3.4	3.0	4.1*	8.7 m			
	15 ft ■	19.6*	19.6*	19.6*	19.6*	11.7	15.2*	15.2*	15.2*	7.5	12.1*	11.7	12.1*	5.3	9.5	8.4	10.4*	-	4.2	7.5	6.6	9.0*	28.5 ft			
	3.0 m ●	-	-	-	-	4.9	7.9*	7.9*	7.9*	3.3	5.9	5.1	5.9*	2.3	4.2	3.7	4.8*	-	1.8	3.2	2.8	3.9*	9.0 m			
	10 ft ■	-	-	-	-	10.8	17.4*	17.4*	17.4*	7.3	13.0	11.2	13.0*	5.1	9.3	8.2	10.6*	-	4.0	7.1	6.2	8.6*	29.5 ft			
	1.5 m ●	-	-	-	-	4.6	8.5*	7.6	8.5*	3.1	5.7	5.0	6.2*	2.2	4.1	3.6	4.8*	1.7	3.2	2.8	3.7*	1.7	3.2	2.7	3.6*	9.0 m
	5 ft ■	-	-	-	-	10.1	18.7*	16.8	18.7*	6.8	12.6	11.0	13.7*	4.9	9.0	7.9	10.6*	3.7	7.1	6.2	8.2*	3.7	7.1	6.0	7.9*	29.5 ft
	0.0 m ●	2.3*	2.3*	2.3*	2.3*	4.4	8.3*	7.4	8.3*	3.0	5.6	4.8	6.1*	2.2	4.1	3.5	4.6*	-	1.8	3.3	2.9	3.5*	8.7 m			
0 ft ■	5.1*	5.1*	5.1*	5.1*	9.7	18.3*	16.3	18.3*	6.6	12.3	10.6	13.4*	4.9	9.0	7.7	10.1*	-	4.0	7.3	6.4	7.7*	28.5 ft				
-1.5 m ●	-	-	-	-	-	-	-	-	2.9	5.3*	4.8	5.3*	-	-	-	-	-	2.9	5.3*	4.8	5.3*	6.0 m				
-5 ft ■	-	-	-	-	-	-	-	-	6.4	11.7*	10.6	11.7*	-	-	-	-	-	6.4	11.7*	10.6	11.7*	19.7 ft				
Boom 5.5 m (18'1") Sorting Arm 3.5 m (11'6") Outrigger Front & Rear"	10.5 m ●	-	-	-	-	-	-	-	-	-	-	-	-	-	-	-	-	8.8*	8.8*	8.8*	8.8*	2.2 m				
	35 ft ■	-	-	-	-	-	-	-	-	-	-	-	-	-	-	-	-	-	19.4*	19.4*	19.4*	19.4*	7.2 ft			
	9.0 m ●	-	-	-	-	5.7	6.3*	6.3*	6.3*	-	-	-	-	-	-	-	-	-	4.1	5.3*	5.3*	5.3*	5.5 m			
	30 ft ■	-	-	-	-	12.6	13.9*	13.9*	13.9*	-	-	-	-	-	-	-	-	-	9.0	11.7*	11.7*	11.7*	18.0 ft			
	7.5 m ●	-	-	-	-	5.8	5.9*	5.9*	5.9*	3.7	5.2*	5.2*	5.2*	-	-	-	-	-	2.8	4.5*	4.2	4.5*	7.1 m			
	25 ft ■	-	-	-	-	12.8	13.0*	13.0*	13.0*	8.2	11.5*	11.5*	11.5*	-	-	-	-	-	6.2	9.9*	9.3	9.9*	23.3 ft			
	6.0 m ●	-	-	-	-	5.7	6.2*	6.2*	6.2*	3.6	5.2*	5.2*	5.2*	2.5	4.6*	3.8	4.6*	-	2.2	4.3*	3.4	4.3*	8.0 m			
	20 ft ■	-	-	-	-	12.6	13.7*	13.7*	13.7*	7.9	11.5*	11.5*	11.5*	5.5	10.1*	8.4	10.1*	-	4.9	9.5*	7.5	9.5*	26.2 ft			
	4.5 m ●	8.9*	8.9*	8.9*	8.9*	5.4	6.9*	6.9*	6.9*	3.5	5.5*	5.4	5.5*	2.5	4.7*	3.8	4.7*	-	1.9	4.1	3.0	4.1*	8.7 m			
	15 ft ■	19.6*	19.6*	19.6*	19.6*	11.9	15.2*	15.2*	15.2*	7.7	12.1*	11.9	12.1*	5.5	10.4*	8.4	10.4*	-	4.2	9.0	6.6	9.0*	28.5 ft			
	3.0 m ●	-	-	-	-	5.1	7.9*	7.9*	7.9*	3.3	5.9*	5.2	5.9*	2.4	4.8*	3.7	4.8*	-	1.8	3.9	2.8	3.9*	9.0 m			
	10 ft ■	-	-	-	-	11.2	17.4*	17.4*	17.4*	7.3	13.0*	11.5	13.0*	5.3	10.6*	8.2	10.6*	-	4.0	8.6	6.2	8.6*	29.5 ft			
	1.5 m ●	-	-	-	-	4.7	8.5*	7.6	8.5*	3.2	6.2*	5.0	6.2*	2.3	4.8*	3.6	4.8*	1.8	3.7*	2.8	3.7*	1.8	3.6*	2.8	3.6*	9.0 m
	5 ft ■	-	-	-	-	10.4	18.7*	16.8	18.7*	7.1	13.7*	11.0	13.7*	5.1	10.6*	7.9	10.6*	4.0	8.2*	6.2	8.2*	4.0	7.9*	6.2	7.9*	29.5 ft
	0.0 m ●	2.3*	2.3*	2.3*	2.3*	4.5	8.3*	7.4	8.3*	3.1	6.1*	4.9	6.1*	2.3	4.6*	3.5	4.6*	-	1.9	3.5*	2.9	3.5*	8.7 m			
0 ft ■	5.1*	5.1*	5.1*	5.1*	9.9	18.3*	16.3	18.3*	6.8	13.4*	10.8	13.4*	5.1	10.1*	7.7	10.1*	-	4.2	7.7*	6.4	7.7*	28.5 ft				
-1.5 m ●	-	-	-	-	-	-	-	-	3.0	5.3*	4.8	5.3*	-	-	-	-	-	3.0	5.3*	4.8	5.3*	6.0 m				
-5 ft ■	-	-	-	-	-	-	-	-	6.6	11.7*	10.6	11.7*	-	-	-	-	-	6.6	11.7*	10.6	11.7*	19.7 ft				

Specifications

EW240E Material Handler S11



SORTING GRAB EW240E MH S11				
With sorting grab on sorting arm				
Opening width	mm	ft in	2,150	7'1"
Height, max	mm	ft in	1,890	6'2"
Height, min	mm	ft in	1,690	5'7"
Volume	l	gal	800	211

LIFTING CAPACITY EW240E MATERIAL HANDLER S11

At the arm end without grapple. For lifting capacity including grapple, simply subtract actual weight of this part from the following values.

Unit: ● 1 000 kg / ■ 1 000 lb

Notes: 1. Working pressure = 35 MPa (5,080 psi). 2. The above values are in compliance with ISO standard 10 567. They do not exceed 87 % of hydraulic lifting capacity or 75 % of tipping load, with the machine on firm, level ground. 3. Load capacities marked with an asterisk (*) are limited by machine's hydraulic lifting capacity rather than tipping load.

Lifting point	Reach from machine centre (u = support up/d = support down)																				
	4.5 m (15 ft)				6.0 m (20 ft)				7.5 m (25 ft)				9.0 m (30 ft)				Max.				
	Across UC		Along UC		Across UC		Along UC		Across UC		Along UC		Across UC		Along UC		Across UC		Along UC		Max.
	u	d	u	d	u	d	u	d	u	d	u	d	u	d	u	d	u	d	u	d	
12.0 m ●	-	-	-	-	-	-	-	-	-	-	-	-	-	-	-	-	-	-	-	-	2.5 m
40 ft ■	-	-	-	-	-	-	-	-	-	-	-	-	-	-	-	-	-	-	-	-	8.2 ft
10.5 m ●	7.3	8.3	8.3	8.3	4.6	7.1	6.2	7.1	-	-	-	-	-	-	-	-	-	-	-	-	6.0 m
35 ft ■	16.1	18.3	18.3	18.3	10.1	15.7	13.7	15.7	-	-	-	-	-	-	-	-	-	-	-	-	19.7 ft
9.0 m ●	7.5	7.8	7.8	7.8	4.7	6.7	6.4	6.7	3.2	6.0	4.4	6.0	-	-	-	-	-	-	-	-	7.8 m
30 ft ■	16.5	17.2	17.2	17.2	10.4	14.8	14.1	14.8	7.1	13.2	9.7	13.2	-	-	-	-	-	-	-	-	25.6 ft
7.5 m ●	7.4	7.9	7.9	7.9	4.7	6.7	6.3	6.7	3.3	5.9	4.4	5.9	-	-	-	-	-	-	-	-	8.9 m
25 ft ■	16.3	17.4	17.4	17.4	10.4	14.8	13.9	14.8	7.3	13.0	9.7	13.0	-	-	-	-	-	-	-	-	29.2 ft
Straight boom 6.5 m (21'4")																					
6.0 m ●	7.1	8.5	8.5	8.5	4.6	7.0	6.2	7.0	3.2	6.0	4.4	6.0	2.4	4.8	3.3	5.3	2.1	4.2	2.9	4.9	9.7 m
20 ft ■	15.7	18.7	18.7	18.7	10.1	15.4	13.7	15.4	7.1	13.2	9.7	13.2	5.3	10.6	7.3	11.7	4.6	9.3	6.4	10.8	31.8 ft
Sorting arm 4.0 m (13'1")																					
4.5 m ●	6.7	9.7	9.3	9.7	4.3	7.5	5.9	7.5	3.1	6.2	4.2	6.2	2.3	4.7	3.2	5.3	1.9	3.9	2.6	4.7	10.2 m
15 ft ■	14.8	21.4	20.5	21.4	9.5	16.5	13.0	16.5	6.8	13.7	9.3	13.7	5.1	10.4	7.1	11.7	4.2	8.6	5.7	10.4	33.5 ft
Front and rear outriggers																					
3.0 m ●	6.0	11.0	8.6	11.0	4.0	8.1	5.6	8.1	2.9	6.1	4.1	6.5	2.2	4.7	3.1	5.4	1.8	3.7	2.5	4.4	10.5 m
10 ft ■	13.2	24.3	19.0	24.3	8.8	17.9	12.3	17.9	6.4	13.4	9.0	14.3	4.9	10.4	6.8	11.9	4.0	8.2	5.5	9.7	34.4 ft
1.5 m ●	5.5	8.6	8.0	8.6	3.8	8.3	5.3	8.4	2.8	6.0	3.9	6.6	2.2	4.6	3.0	5.3	1.7	3.7	2.4	4.1	10.5 m
5 ft ■	12.1	19.0	17.6	19.0	8.4	18.3	11.7	18.5	6.2	13.2	8.6	14.6	4.9	10.1	6.6	11.7	3.7	8.2	5.3	9.0	34.4 ft
0.0 m ●	5.3	6.9	6.9	6.9	3.6	8.1	5.2	8.2	2.7	5.8	3.8	6.4	2.1	4.5	3.0	5.0	1.8	3.8	2.5	3.8	10.3 m
0 ft ■	11.7	15.2	15.2	15.2	7.9	17.9	11.5	18.1	6.0	12.8	8.4	14.1	4.6	9.9	6.6	11.0	4.0	8.4	5.5	8.4	33.8 ft
-1.5 m ●	-	-	-	-	3.6	7.3	5.1	7.3	2.7	5.7	3.8	5.7	-	-	-	-	-	-	-	-	9.0 m
-5 ft ■	-	-	-	-	7.9	16.1	11.2	16.1	6.0	12.6	8.4	12.6	-	-	-	-	-	-	-	-	29.5 ft

Equipment

STANDARD EQUIPMENT

	EW200E MATERIAL HANDLER	EW240E MATERIAL HANDLER
Engine		
Turbocharged, 4 stroke Volvo diesel engine with water cooling, direct injection and charged air cooler that meets US (EPA) Tier 4 Final emission requirements	•	•
Intake air pre-heater	•	•
ECO mode	•	•
Fuel filter and water separator	•	•
Fuel filler pump: 50 l/min (13.2 gpm) with automatic shut-off	•	•
Aluminium core radiator	•	•
Electric / Electronic control system		
Contronics-computerized monitoring and diagnostic system	•	•
Travel alarm	•	•
Adjustable automatic idling system	•	•
Adjustable monitor	•	•
Safety stop / start function and master electrical disconnect switch	•	•
Joystick Controlled Support (blade / outrigger function on LH joystick)	•	•
Halogen Front and LED rear driving lights for left hand driving	•	•
Alternator, 140 A	•	•
Batteries, 2 x 12 V / 140 Ah	•	•
Start motor, 24 V / 5.5 kW	•	•
CareTrack via GSM or satellite	•	•
Rear view camera	•	•
Side view camera left hand side	•	•
Superstructure		
Reinforced upper frame and modified position of boom and boom cylinders - tailor-made for material handling application	•	•
Service walkway with anti-slip grating	•	•
Centralised lubricating point for slew bearing	•	•
Undercarriage		
Longer, wider, stiffer undercarriage for higher rigidity and durability in handling applications	–	•
With 4 reinforced outriggers with enlarged outrigger pads	–	•
2.75 m (9'0") wide axles	–	•
2.5 m (8'2") wide axles	•	–
3-speed power transmission plus creep speed up to 20 km/h (12.4 mph) OR up to 19 km/h (11.8 mph) with CDC without steering wheel	•	•
Oscillating front axle ± 4.5%	•	•
2-circuit travel brakes	•	•
Extended axle lock (EAL)	•	•
Steps on outrigger (front and rear) for easier access	•	•
Hydraulic system		
Load sensing hydraulic system	•	•
Boom float function	•	•
Pressure relief system (servo accumulator)	•	•
Proportional controlled visco-clutch cooling fan	•	•
Hose rupture valve for boom and arm	•	•
Hydraulic long life oil ISO VG46	•	•
Boom dampening system	•	•
Soft swing function	•	•
Arm in limitation function	•	•

STANDARD EQUIPMENT

	EW200E MATERIAL HANDLER	EW240E MATERIAL HANDLER
Cab and interior		
Volvo hydraulic elevated Care Cab with fixed roof hatch	•	•
Heater & air-conditioner, automatic	•	•
Hydraulic dampening cab mounts	•	•
Adjustable operator seat and joystick control console	•	•
Adjustable steering column	•	•
Hydraulic safety lock lever	•	•
L8 control joystick, with 5 roller switches	•	•
Cab, all-weather sound suppressed, includes:	•	•
Cup holder	•	•
Door locks	•	•
Safety glass, light tinted	•	•
Floor mat	•	•
Horn	•	•
Large storage area	•	•
Pull-up type front window	•	•
Removable lower windshield	•	•
2 inch retractable seat belt	•	•
Windshield wiper with washer and intermittent feature	•	•
Sun shield, front, roof & rear	•	•
Master ignition key	•	•
Lower wiper	•	•
Digging equipment		
Centralised lubrication point	•	•
OPTIONAL EQUIPMENT		
	EW200E MATERIAL HANDLER	EW240E MATERIAL HANDLER
Engine		
Diesel coolant heater with digital timer	•	•
Block heater, 240 V/120 V	•	•
Water separator with heater	•	•
Dust net	•	•
Reversible fan	•	•
Air inlet turbo pre-cleaning system	•	•
Micro- mesh and sealing for engine compartment	•	•
Tropical cooling	•	•
Automatic engine shutdown	•	•
Waste package	•	•
Electric / Electronic control system		
Remote controlled welcome light	•	•
24 channel electric centre passage	•	•
Luxury LED work lights package (11) - includes:	•	•
a) remote controlled welcome lights	•	•
b) boom-mounted (2)	•	•
c) rear cab (1) and counterweight mounted (1)	•	•
d) cab front (4)	•	•
e) arm mounted (2)	•	•
f) LED light for side camera	•	•
Cruise control	•	•
Anti-theft system	•	•
Tilting and rotating attachment preparation	•	•
Rotating beacon on cab and counterweight	•	•

OPTIONAL EQUIPMENT

	EW200E MATERIAL HANDLER	EW240E MATERIAL HANDLER
Undercarriage		
Twin tires 10.00 – 20	•	•
Stone protection rings	•	•
4 outriggers + cleaning blade at front	–	•
Blade front with outrigger rear	•	–
Standard toolbox or Drawer type toolbox at either side	•	•
2.7 m (8'10") wide axles	•	•
2.5 m (8'2") standard width axles	•	–
Hydraulic system		
Hydraulic oil, biodegradable ISO VG32	•	•
Hydraulic oil, biodegradable ISO VG46	•	•
Hydraulic long life oil ISO VG32	•	•
Hydraulic long life oil ISO VG68	•	•
Hydraulic equipment for attachments : peel grapple and sorting grab	•	•
Height limitation function	•	•
Flow and pressure control	•	•

OPTIONAL EQUIPMENT

	EW200E MATERIAL HANDLER	EW240E MATERIAL HANDLER
Cab and interior		
Falling object guard (FOG)	•	•
Cab mounted falling object protective structures (FOPS)	•	•
Rain shield, front	•	•
Sunlight protection, roof hatch (steel)	•	•
Safety net for front window	•	•
One-piece polycarbonate window	•	•
Anti-vandalism kit	•	•
Radio with CD player and MP3 input	•	•
Ashtray	•	•
Lighter	•	•
Fabric seat, with heater	•	•
Fabric seat, with heater and air suspension	•	•
Luxury operator seat	•	•
Digging equipment		
6.5 m (21'4") or 7.25 m (23'9") straight boom	–	•
5.5 m (18'1") or 6.25 m (20'6") straight boom	•	–
Gooseneck arm 5.0 m (16'5")	–	•
Gooseneck arm 4.0 m (13'1")	•	–
Sorting arm 3.5 m (11'6")	•	–
Sorting arm 4.0 m (13'1")	–	•
Arm hoses protection	–	•
Service		
Wheel chocks	•	•
Tool kit, daily maintenance	•	•
Attachments		
Sorting grabs	•	•
Poly grapples	•	•

SELECTION OF VOLVO OPTIONAL EQUIPMENT

Volvo Smart View



Boom height limitation



Guarding packages



Waste packages



Steel mudguards (EW200E Material Handler)



LED lights



Not all products are available in all markets. Under our policy of continuous improvement, we reserve the right to change specifications and design without prior notice. The illustrations do not necessarily show the standard version of the machine.

VOLVO

Volvo Construction Equipment

volvo.com